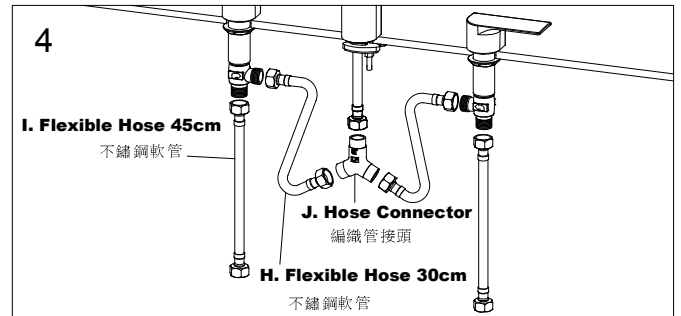
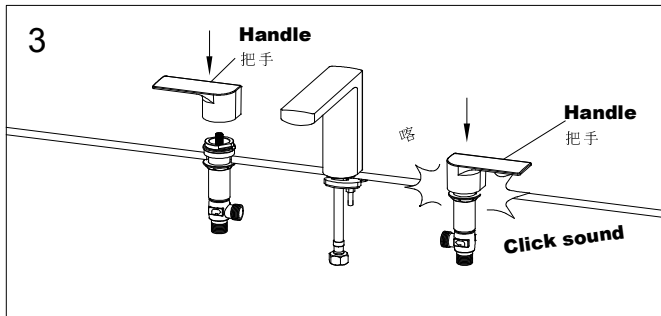
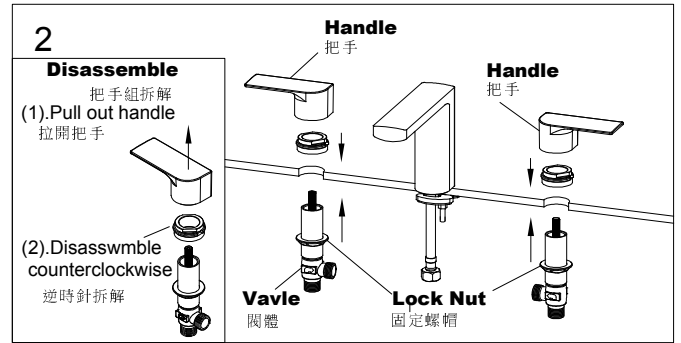
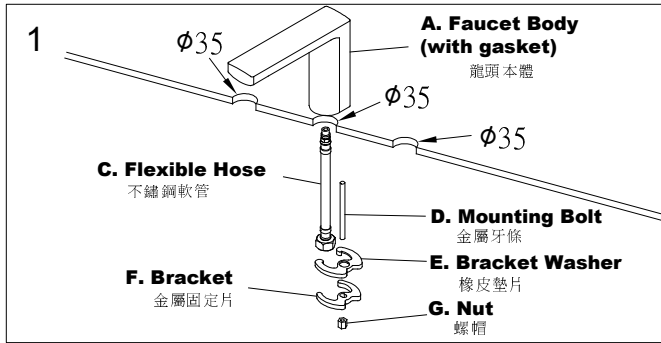


INSTALLATION INSTRUCTIONS

TWO-HANDLE LAVATORY FAUCET

雙把手檯面龍頭安裝說明



CAUTION : Prevent The Risk Of Product Damage.

注意：為增加產品使用壽命，請依說明清潔供水管路。

a./ Turn on angle stops (water suppliers) and run for 1 minute before connect supply hose (flexible hose) to faucet body. or b./

安裝編織管之前，先把供水開關全開排水一分鐘。或 b./

b./ Connect faucet and angle stops with supply hoses (flexible hoses), remove the aerator, fully turn on hot and cold water valves to run for 1 minute, and then shut off the water and reassemble the aerator.

把龍頭、供水開關及編織管接好並鎖緊之後，把起泡器移開，把熱水及冷水全部轉開一分鐘，然後把水關掉再把起泡器裝回去。

1. Screw **Flexible Hose** and **Mounting Bolt** into **Faucet Body (with gasket)**, insert **Flexible Hose** and **Mounting Bolt** through basin/deck hole in fixture. Place **Bracket with Bracket Washer** and **Nut** onto **Mounting Bolt**, position faucet on fixture, and then tighten **Nut** securely.

將冷熱進水不鏽鋼軟管和金屬牙條鎖緊固定於龍頭本體，再將冷熱進水不鏽鋼軟管和金屬牙條穿過洗臉盆(檯)洞口。從金屬牙條下方依序套入橡皮墊片、金屬固定片、和螺帽，確認龍頭方向位置後，鎖緊螺帽固定龍頭即可。

2. Pull out **Handles** from **Handle Assemblies**, and disassemble **Fixing Nuts** counterclockwise. Insert **Valves** from underside through the holes of Basin/Deck and tighten **Fixing Nuts**, and then align **Valves** to make tee ends(outlet) face to **Spout** and secure **Valves** by tightening **Lock Nuts** Clockwise.

如圖所示安裝前將把手向上拉開拆卸，並且從閥體上將把手固定座逆時針拆下，把閥體從檯面下方穿過孔，並且對齊閥門使三通端（出口）朝向出水口短鎖上把手固定座，並順時針鎖緊固定螺帽來固定閥體。

3. Ensure that **Handles** are properly aligned and **Valves** are in closed position, and then press the **Handles** onto the **Fixing Nuts**.

確定閥體開關都是關閉的並且把手都有對齊，然後以下壓的方式將把手卡入把手固定座。

4. Install **Hose Connector**, **Flexible Hoses** and **Angle Stops (option)** as fig. 4 shows.

如圖所示安裝連結編織管接頭，不鏽鋼軟管及進水開關（選購）即完成安裝步驟。

FIXING CONTENTS

組配件內容

