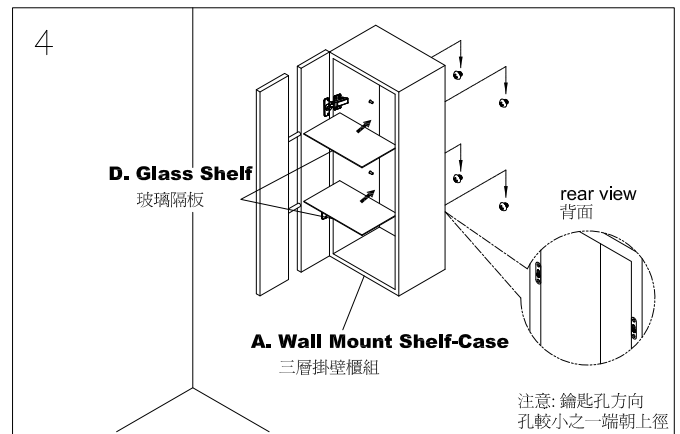
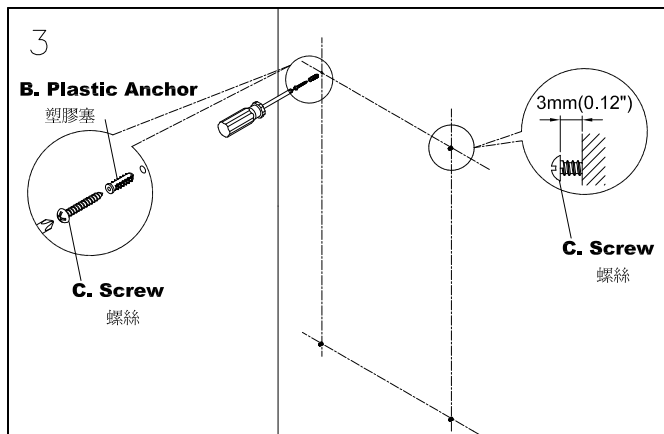
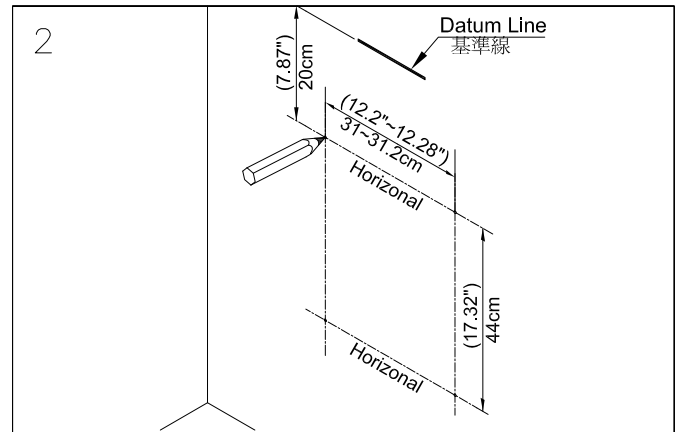
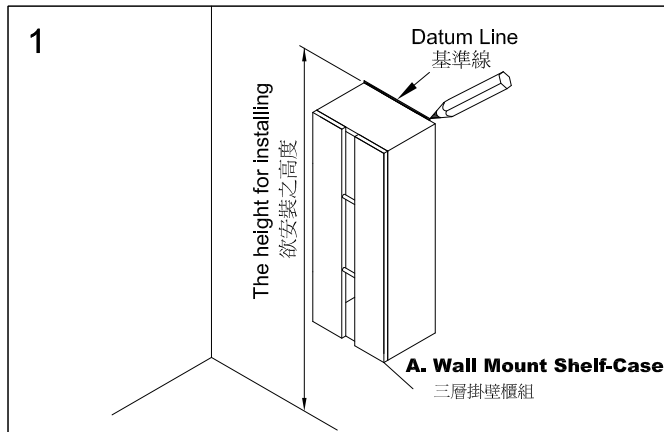


INSTALLATION INSTRUCTIONS

Wall Mount Shelf-Case 掛壁式浴櫃安裝說明



1. Draw a horizontal line on appropriate position with a pencil as **figure 1**.
先決定壁式浴櫃組欲安裝之高度,用鉛筆畫一條水平基準線,如圖示 1.
2. Using 6mm drill, accurately drill 4 holes as **figure 2**.
當安裝在水泥牆,使用6mm鑽頭鑽孔,安裝距離如圖示 2.
3. Insert **Plastic Anchors** flush with the wall before attach **Screws** on. Do not completely tighten **Wall Screws**, leave 3mm space between screw head and wall. **figure 3**.
嵌入塑膠塞並使之齊平於牆面,鎖入螺絲,不要將螺絲全部鎖緊,調整到如圖面所示的適當位置,螺絲頭與牆面須留3mm的距離,以便安裝壁式浴櫃組.
4. Insert the 4 **Wall Screw** heads into the keyholes where located on the backside of **Shelf-Case**, then press downward and fix the **Shelf-Case** on wall. Make use of the **Glass Shelf** to put on the shelf holder in **Shelf-Case**. **figure 4**.
將壁式浴櫃組背面的鑰匙孔,對準螺絲頭後掛上.再將玻璃隔板放置在立櫃內隔板卡榫上方,即完成安裝程序,如圖示 4.

FIXING CONTENTS

組配件內容

