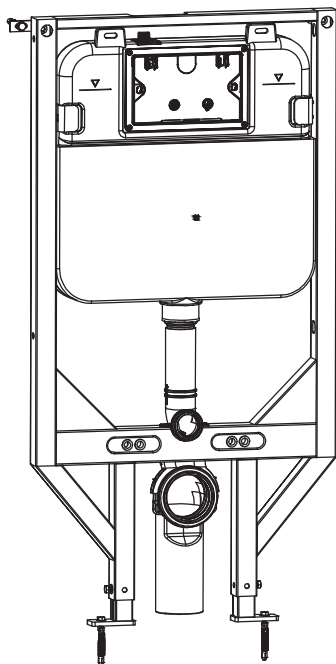


INSTALLATION INSTRUCTIONS

Concealed Cistern
隱藏式水箱安裝說明

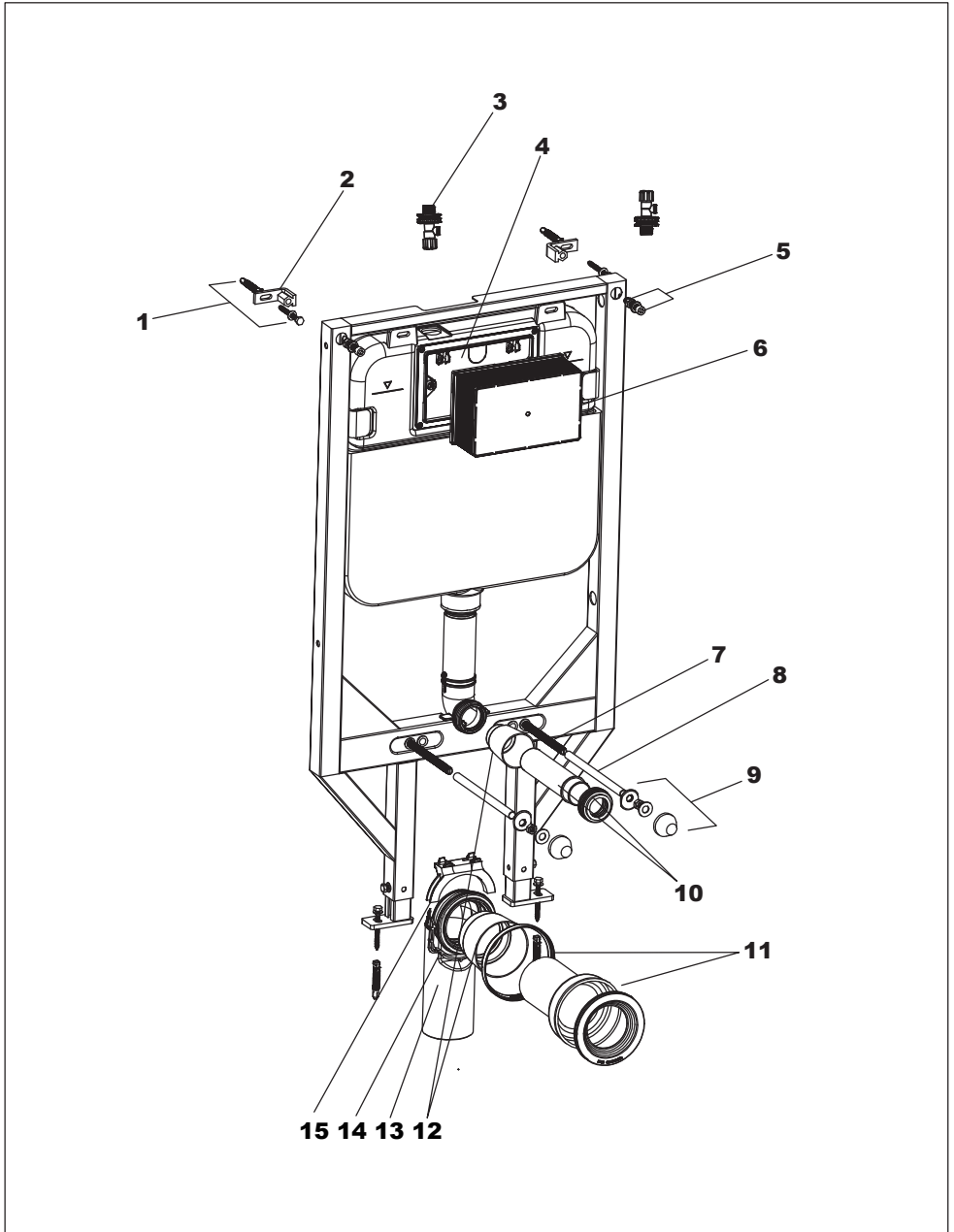
Applicable Product Number:
適用產品型號:



6373-01-8000

FIXING CONTENTS

組配件內容



FIXING CONTENTS

組配件內容

NO	Description 名稱	Qty 數量	Function 用途
1	Expansion screw 膨脹螺釘組	4	For mounting the frame and wall bracket. 固定鐵架及鐵架固定彎角用
2	Wall bracket 鐵架固定彎角	2	For fixing the frame. 固定鐵架用
3	Angle valve 調節閥	1	Fill valve inlet and shut-off. 進水閥進水開關
4	Cistern cover 水箱蓋板	1	For airproof for tank and mounting the locking bracket. 固定支架組及密封水箱用
5	Socket head screw 內六角螺釘組	2	For mounting the frame and locking into wall bracket. 將鐵架鎖緊在鐵架固定彎角用
6	Plastic holder 安裝盒	1	For reserving space for the actuator installation during wall building. 砌牆時為面板的安裝預留空間用 For preventing the dust and impurities into tank during wall building. 砌牆時防止灰塵等髒物進入水箱
7	Connecting screw 連接螺栓	2	For mounting the ceramic bowl. 掛壁式馬桶用
8	Protective cover 保護套	2	For protecting the connecting screw during wall building. 砌牆時保護連接螺絲栓用
9	Ceramic bowl fixing accessories 座便器固定零件組	2	For mounting the ceramic bowl. 掛壁式馬桶用
10	Straight tube 沖刷直管件	1	For connecting cistern with ceramic bowl. (cut with wall thickness in accordance)
11	Connecting pipe 排污連接管件	1	用於座便器與水箱配件的連接 (根據牆面的厚度進行裁切)
12	Piping stopper 彎管堵頭	2	For reserving the space for the straight tube and the connecting pipe. 砌牆時為沖刷直管和排污連接管預留空間用
13	Draining syphon 排污彎管	1	For discharge liquid and solid waste from toilet. 座便器污水排放管道
14	Draining syphon holder 卡箍	1	For mounting the draining syphon.
15	Mounting bracket 固定架	1	固定排污彎管用



INSTALLATION NOTE

安裝注意事項

IMPORTANT INSTRUCTIONS:

1. Please adhere the following installation instructions. We shall not be responsible for failures and loss that are contributed to improper installation.
2. Please confirm the fixation location of the frame prior to installation and obtain the finished floor surface. Draw **FFL** on installation wall and follow it as a baseline from ZERO (0) level.
3. These instructions have been composed based on the latest product specifications. We reserve the right to make modifications to the packaging and specifications without providing prior notice.



NOTES:

1. Mount before bricks building.
2. All sizes are shown in mm.
3. The drawing is shown for reference only. Follow the actual product parts.
4. Finished Floor.  FFL  = FINISHED FLOOR

重要提示:

1. 安裝前請仔細閱讀說明書,本公司不承擔因安裝人員未按說明書要求施工所造成的損失.
2. 在鐵架安裝前,先確認安裝位置,並根據室內裝修的總體策劃,確定裝修完成後的地板面,並在安裝牆上劃出**FFL**線,並始終以此作為高度0的基準線.
3. 所有資料是按出版時的最新產品資料編寫,本公司保留在任何時候不需通知便可更改產品的特徵.包裝或供應產品的權利.

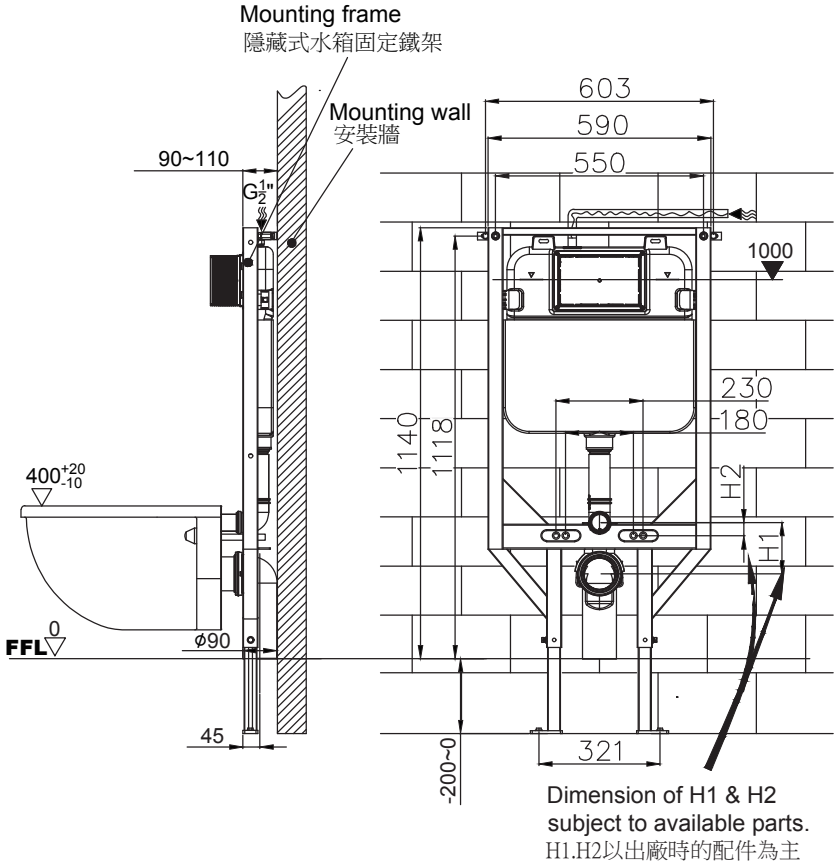
注意事項:

1. 請在貼瓷磚之前安裝本產品
2. 所有的尺寸單位為毫米(mm)
3. 圖示零件若與實物不符,請以實物為準;
4.  FFL  = 工程完工後的地板面

INSTALLATION INSTRUCTIONS

安裝說明

1

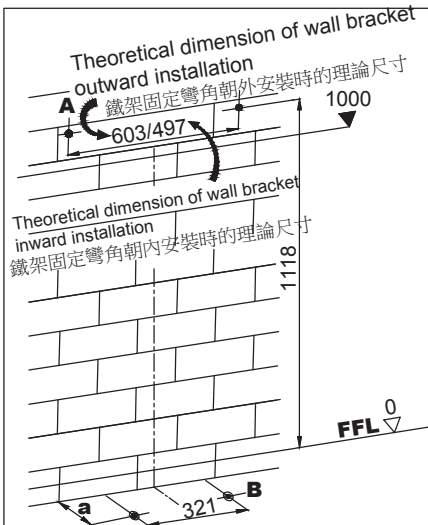


* General dimension and water supply drawing Water supply connects from the top :
(It must be connected to the angle valve inside of the cistern.)

基本尺寸及供水管道鋪設:

2

Drill holes on the mounting wall and the floor and then install expansion screws
 在安裝牆面及地面鑽孔並裝入塑膠塞。



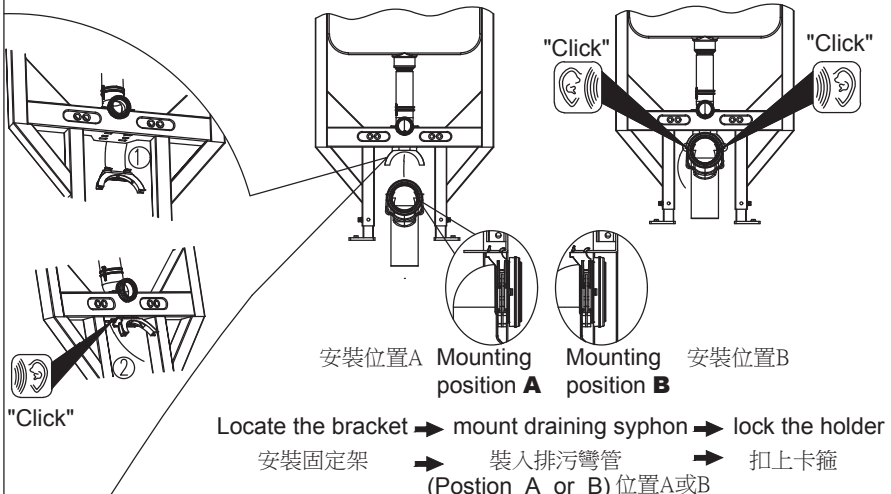
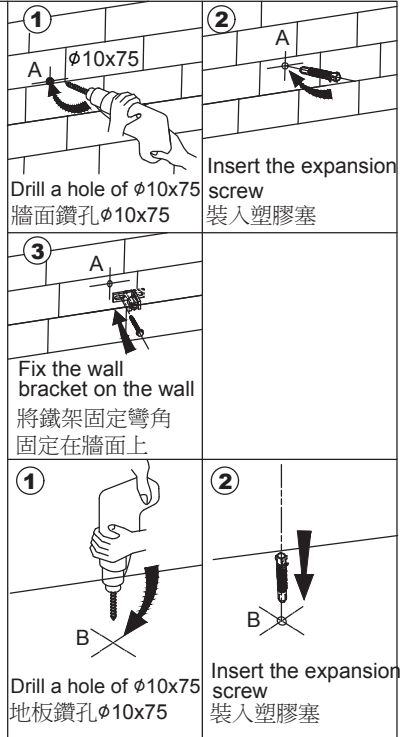
Dimension "a" according to the practical location of flushing pipe.

Note: Above drillings are theoretical dimensions of frame mounting.

Please follow the practical location of frame.

"a"值根據水管的實際位置確定:

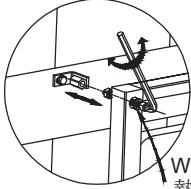
提示:圖中鑽孔位置的尺寸為鐵架安裝的理論尺寸,安裝時請根據鐵架的實際安裝位置來確定。



3

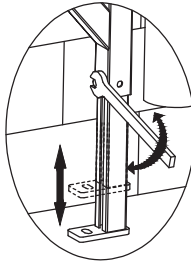
Adjustment of socket head screw and floor fixing accessories

內六角螺栓調節,地腳組裝調節.

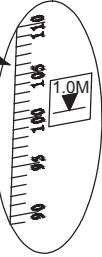
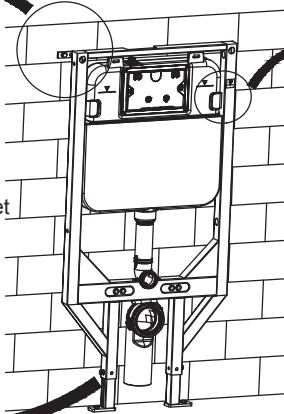


Washer
墊片

Mount a metal frame with hexagon socket screw and lock it into wall bracket
將鐵架用六角螺栓固定到鐵架定彎角

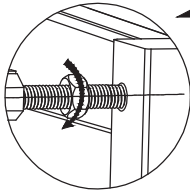


Move adjusting leg to the desired position
將調節桿上下節至合適位置後固定



Adjustment and fixation of the mounting frame

調節鐵架的豎直及水平並固定.

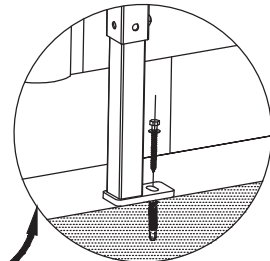
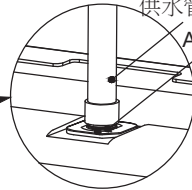


Pretighten the screw and when the frame location is seated, lock the nut.

先將螺母預緊,待鐵架調整確定後,再將螺母鎖緊

Water supply
供水管

Angle valve
調節閥



Pretighten the expansion screw and when the frame location is seated, lock it.

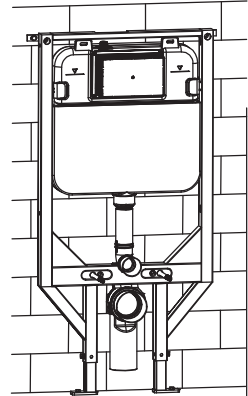
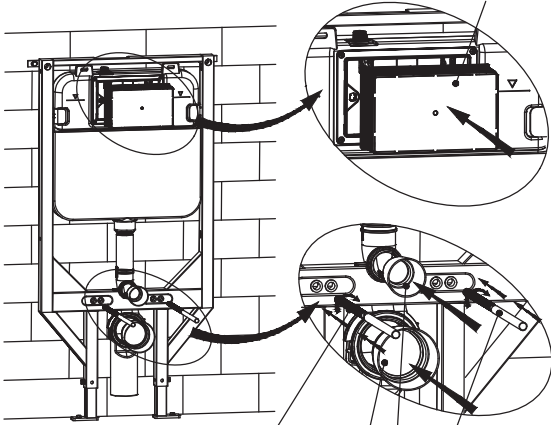
先將膨脹螺釘預緊,待鐵架調整確定後,再將膨脹螺釘鎖緊

4

Mount the installation accessories 裝修配件的安裝

Plastic holder (reserves space for installation of the actuator during wall building and prevents dust and impurities into the tank).

安裝盒(砌牆時為面板安裝板預留空間用及防止灰塵進入水箱)



Finished product.
完成示意圖

Connecting screw (mount the toilet)
連接螺栓(固定座便器用,實際安裝時請根據馬桶的實際尺寸選擇安裝孔)

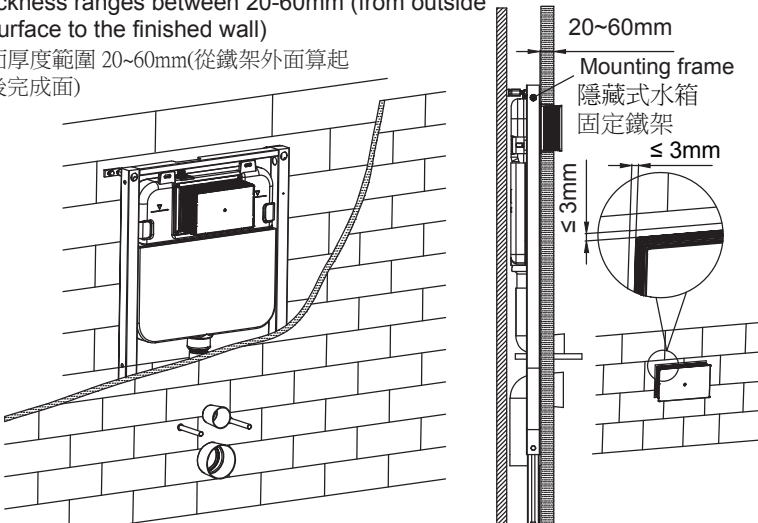
Protective cover (protects connecting screw during wall building)
保護套(保護連接螺栓用)

Piping stopper #2 (reserves for space discharging pipe during wall building.)
彎管堵頭#2(砌牆時為排污連接管預留空間用)

Piping stopper #1 (reserves space for flushing pipe during wall building.)
彎管堵頭#1(砌牆時為沖刷直管預留空間用)

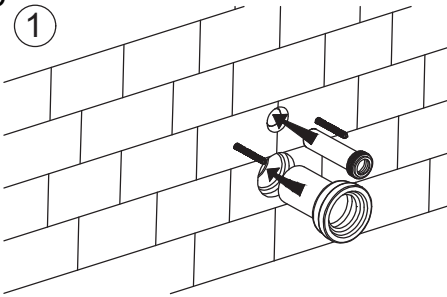
Wall thickness ranges between 20-60mm (from outside frame surface to the finished wall)

裝修牆面厚度範圍 20~60mm(從鐵架外面算起至貼磚後完成面)



5

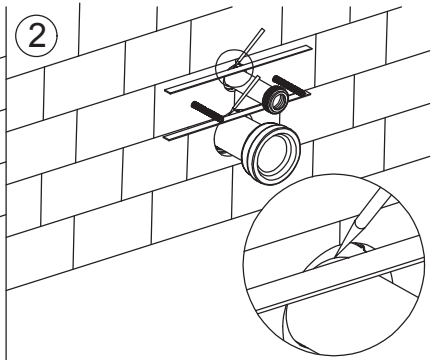
①



Fully insert the straight tube into the cistern flushing outlet and then connecting pipe into discharging outlet.

將直管和連接管分別插入水箱彎管和排水彎管到位。

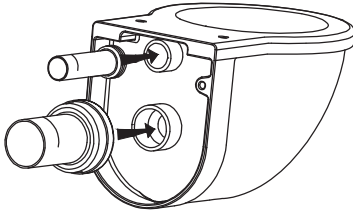
②



Draw the lines as shown above.

如圖劃線標識。

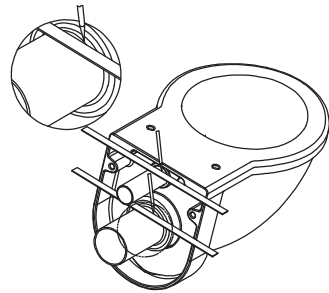
③



Apply lubricant on the rubber washers of the straight tube and connecting pipe, then insert them into ceramic holes.

分別在直管和連接管的橡皮墊上抹上矽油，然後插入座便器。

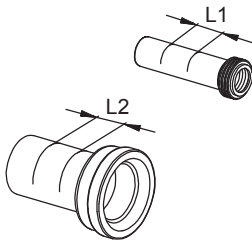
④



Draw the lines as shown above.

如圖劃線標識。

⑤

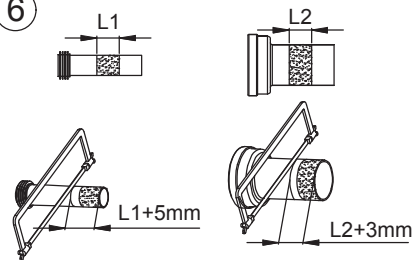


As per drawing, L1 is the distance between two lines on the straight tube.

L2 is the distance between two lines on the connecting pipe.

如圖，直管劃線標識之間的距離為L1
連接管劃線標識之間的距離為L2

⑥

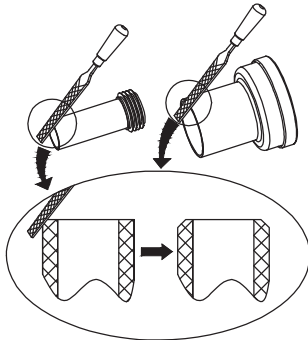


Cut the straight tube and connecting pipe as per above drawing.

在如圖尺寸位置處切割直管和連接管。

6

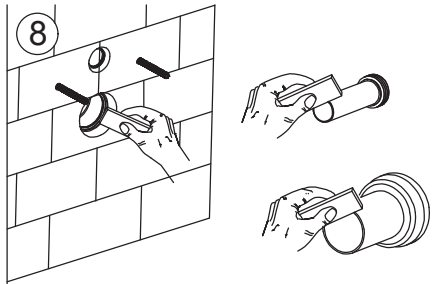
7



Polish the cut edges surface to get chamfer angle and deburring as per drawing.

將鋸短的兩管管口的端面打磨成如圖倒角，並去除毛邊。

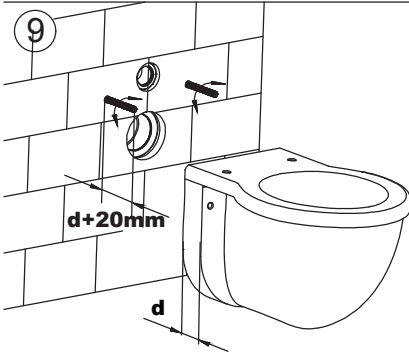
8



Apply lubricant on joint surface of the straight tube and connecting pipe.

用帶有矽油的海綿在直管與彎管的結合處抹上矽油。

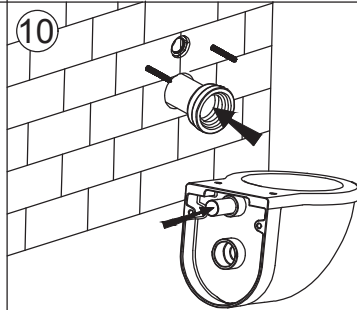
9



Adjust length of a connecting bolt to be $d+20\text{mm}$

將連接螺栓長度調節到 $d+20\text{mm}$ (如圖)。

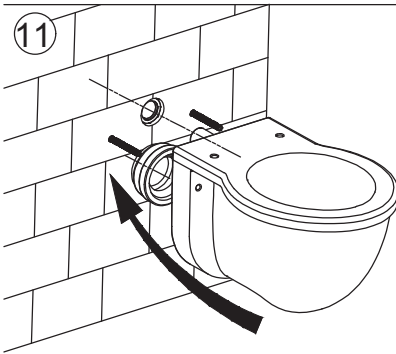
10



Firstly, insert connecting pipe into discharging outlet and straight tube into ceramic hole.

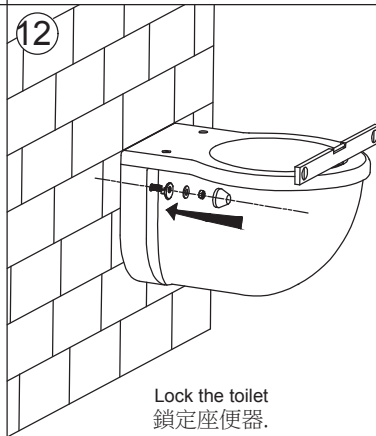
先將連接管插入到排水彎管，再將直管插入到座便器。

11

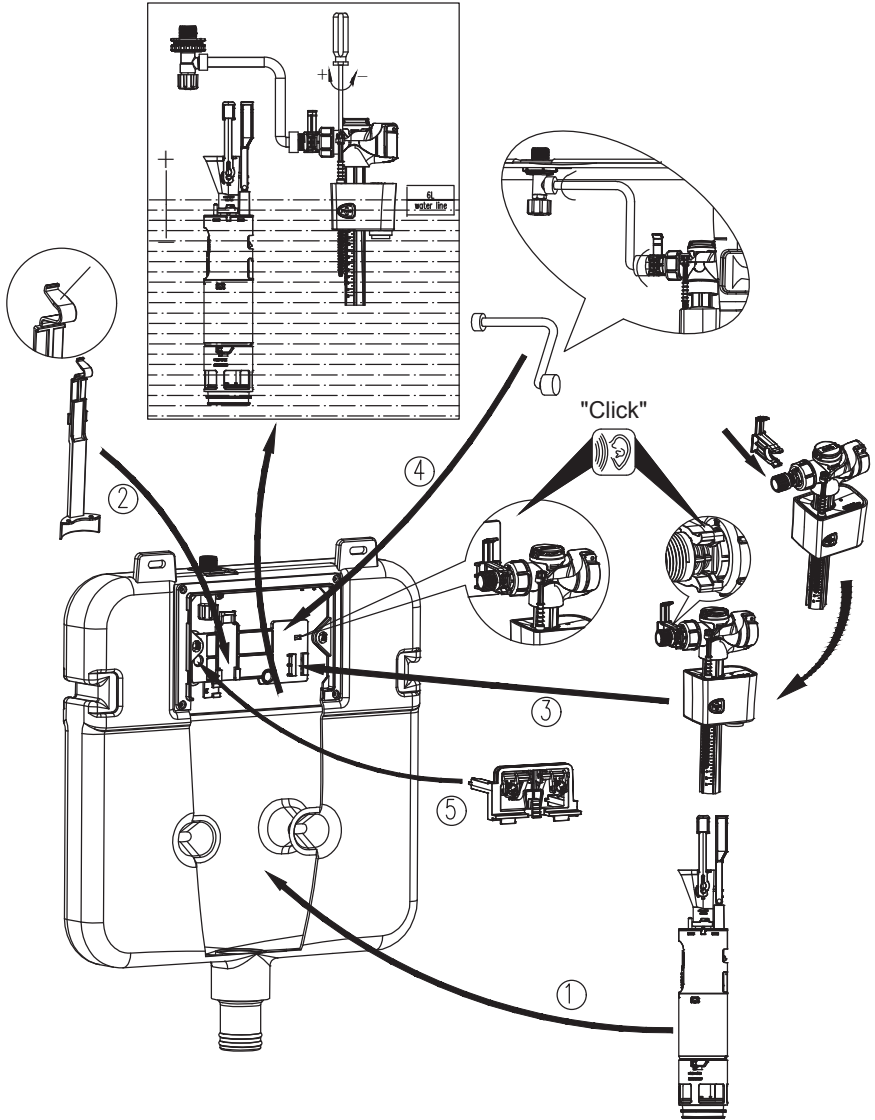


Install the toilet.
安裝座便器

12



Lock the toilet
鎖定座便器。



* The internal flushing mechanism is already well-assembled and above picture is shown for reference only.

水箱配件出廠時已安裝好,以上圖示提供參考。

WARRANTY

Sheng Tai Brassware Co., Ltd. offer a one-year warranty on all of the Concealed Cistern from date of purchasing. The warranty covers any defect in material and workmanship during normal residential use. The following conditions of defect are charged for maintaining.

- Damage caused by accident, misuse, improper care and cleaning.
- Improper using or installation.
- Defects because of the external factors, such as erodent environment (ex. Seashore or mineral spring.), animal bites or dead body remains in product etc.
- Defect because of sand or impurity stuck in Concealed Cistern water way.
- Using water not adhered to the regulations of national standard.
- Deficiency caused by freeze.
- Not showing this warranty card.
- Not filling out in the blank of name of customer, date of purchase, cost of purchase, company of installation (retail store) and stamp on warranty card.
- Sheng Tai Brassware Co., Ltd. is not responsible for labor charges, installation, or other incidental or consequential costs.

勝泰衛材股份有限公司提供所有的隱藏式水箱，從購買之日起一年保固。保固範圍包括在一般住宅正常使用的期間，發現產品有任何材質和加工上的瑕疵。如瑕疵有下列情形，將收取維修費用。

- 因意外事故、不當操作使用，不當的保養維護和清洗所造成的損害。
- 不當使用或安裝。
- 外在因素造成產品的瑕疵，如易造成侵蝕的環境（如濱海或溫泉地區）、動物嚙咬或屍體存在於產品內造成的損壞。
- 因砂子或雜質卡住水路造成的損壞。
- 沒有依循國家標準的規定使用水源造成的損壞。
- 因冰凍造成的水量不足。
- 未出示此保固卡。
- 未在空白處填寫客戶名稱，購買日期，購買成本，安裝公司（零售商店），及保證卡上未蓋章。
- 勝泰衛材股份有限公司不負責工人費用，安裝，或其他附帶或間接產生的費用。

Customer	Name		Tel	
	Address			
Product	Serial No.		Name	
	Warranty	One year from date of purchase.		
Purchase place	Store		Tel	
	Address			
Purchase Date				
Purchase Price				

JUSTIME
www.justime.com

SHENG TAI BRASSWARE CO., LTD.

No.99 Sec.3 Chang Tsao Rd. Ho Me, Chang Hua, Taiwan

508 台灣彰化縣和美鎮彰草路3段99號

TEL: +886-4-7629971~4

FAX: +886-4-7526980

E-mail: shengtai@ms10.hinet.net

Facebook: www.facebook.com/JUSTIME