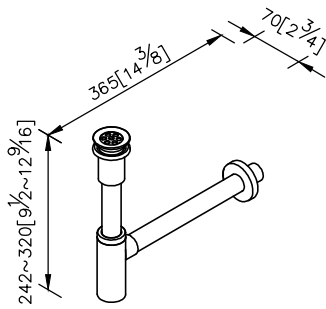


7-Hole Drain W/ Tail Tube & T-Trap
6502-N5-81CP

- 1.Brass of forging body meets JIS 3771 standard.
- 2.Premium metal construction for durability.
- 3.Justime finishes resist corrosion and tarnish.
- 4.Finish meets the standard of ASTM-SC2.
- 5.Material of brass tube meets JIS C2700 standard.



unit: mm[inch]

