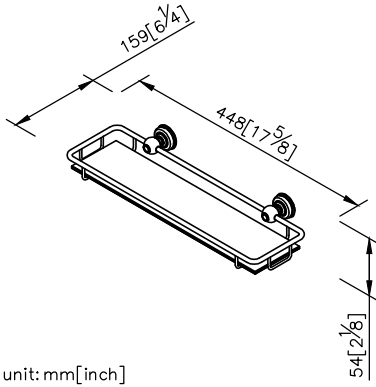
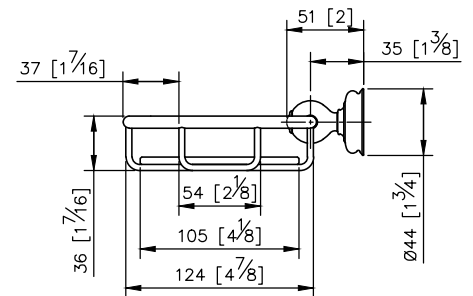
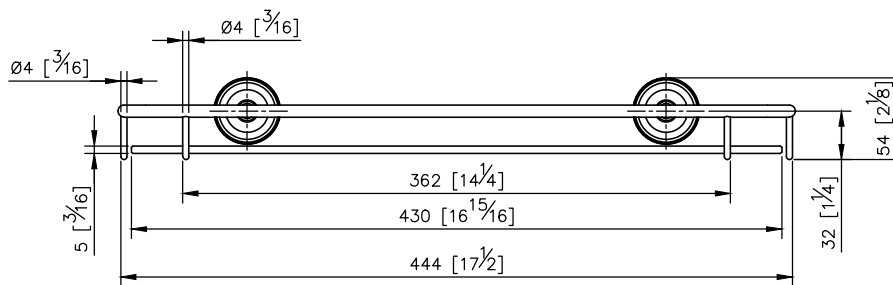
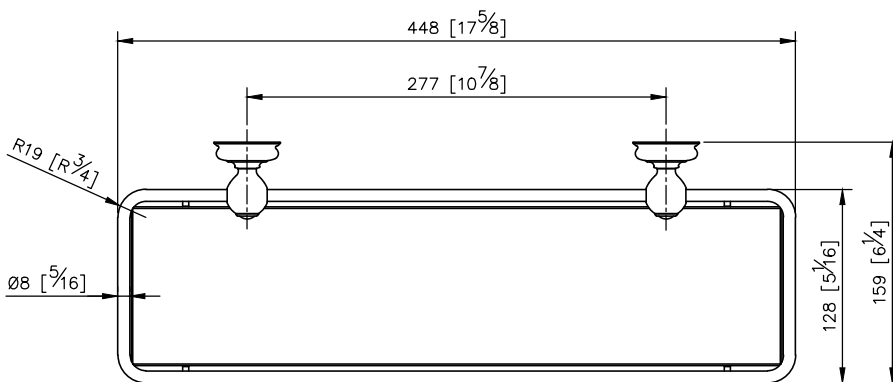


Shelf With Rail 6703-71-80CP

- 1.Brass of forging body meets JIS 3604 standard
- 2.Premium metal construction for durability
- 3.Justime finishes resist corrosion and tarnish
- 4.Finish meets the standard of ASTM-SC2
- 5.Correctly installed product's loading is 2 kg f
- 6.Tempered glass((5*105*430mm)
- 7.Coordinates with other products in Classik collection



unit: mm[inch]



Mounting Template Specification

