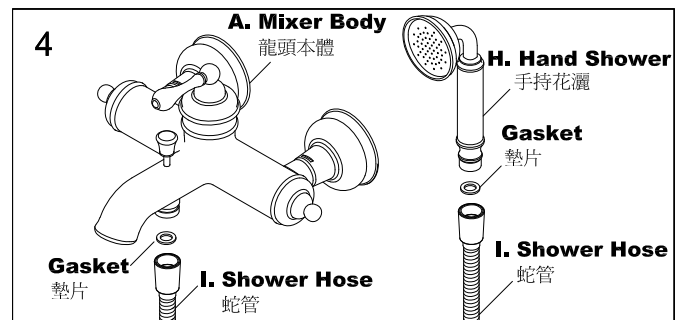
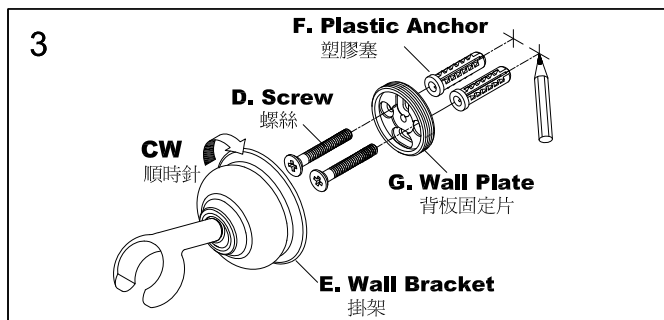
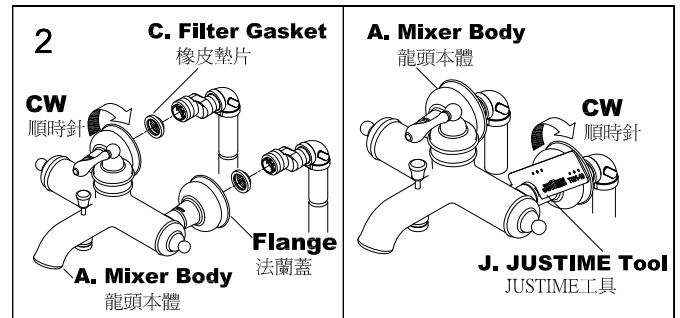
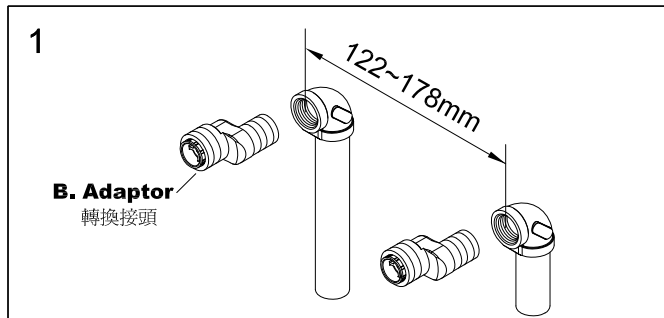


INSTALLATION INSTRUCTIONS

BATH / SHOWER MIXER

淋浴龍頭安裝說明



CAUTION: Prevent The Risk Of Product Damage.

注意：為增加產品使用壽命，請依說明清潔供水管路。

Remove the aerator and fully turn on the faucet and run for 1 minute after finish installation, then turn off the water and reinstall the aerator.

完成安裝之後，把起泡器移開，把水全部轉開持續一分鐘，然後把水關掉再把起泡器裝回去。



- The available distance between two centers of wall water outlet can be 122~178mm. Apply pipe compound or thread sealant tape to the thread of 1/2" end of **Adaptor**, and screw it into water outlet on wall as Fig.1 shown.
凡牆壁上冷熱出水孔中心距離在122~178mm者，皆可適合安裝本產品。將轉換接頭1/2"牙塗上管牙膠或包覆止洩帶，再鎖入牆壁出水口。(如圖1所示)
- Insert **Filter Gaskets** into each Flange, and then tighten Flanges securely by hand & **JUSTIME Tool** to fix **Mixer Body Adaptors** as Fig. 2 shown.
將墊片分別裝入法蘭蓋，以雙手搭配JUSTIME工具，順時針轉動法蘭蓋直到緊貼牆面。(如圖2所示)
- Using **Wall Plate** as a template, and then mark and drill at proper position before install **Wall Bracket** on the wall. Screw **Wall Bracket** onto **Wall Plate** until hand tight. Rotate the Holder to correct position as the Fig.3 shown.
決定花灑掛架欲安裝位置後，利用背板固定片上兩孔用畫兩個基準點，再使用 6mm鑽頭於牆上記號鑽孔。將掛架背板固定於牆上之後，將掛架順時針鎖入背板至鎖緊。將掛勾轉至正確位置。(如圖3所示)
- Connect **Shower Hose** with **Gaskets** to **Mixer Body** and **Hand Shower** as Fig.4 shown.
以蛇管(含墊片)連接龍頭本體與手持花灑。(如圖4所示)

FIXING CONTENTS

組配件內容

