

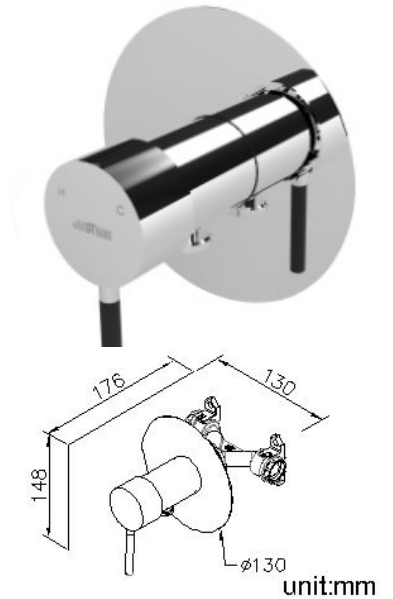
**Concealed Shower Mixer**  
**6765-XS-80P1**

**INTRODUCTION:**

To create a comfortable bathroom, we have to simplify the idea of its interior design. We would like to present a tidy, functional, but not monotone or narrow shower space for users. Therefore, modern designers have come up a "concealed" conception with bath fittings. By removing the exposed metal pipes, the interior space can be increased a lot, making the bathroom more hygienic and natural. Eventually, taking a shower would be pleased, rather than just functional.

**DESCRIPTION:**

- 1.Brass of sand-casting body meets ISO CuZn40Pb standard
- 2.Premium metal construction for durability
- 3.Justime finishes resist corrosion and tarnish
- 4.Finish meets the standard of ASTM-SC2
- 5.The mixing valve could be installed in the cemented and wood wall
- 6.The burying depth of embedded body is between 2"(6cm)Min~3"(7.6cm)Max from the finished wall



**Certificaion:**

**Fixing Kits:**

- 1.N/A

**AWARD:**