

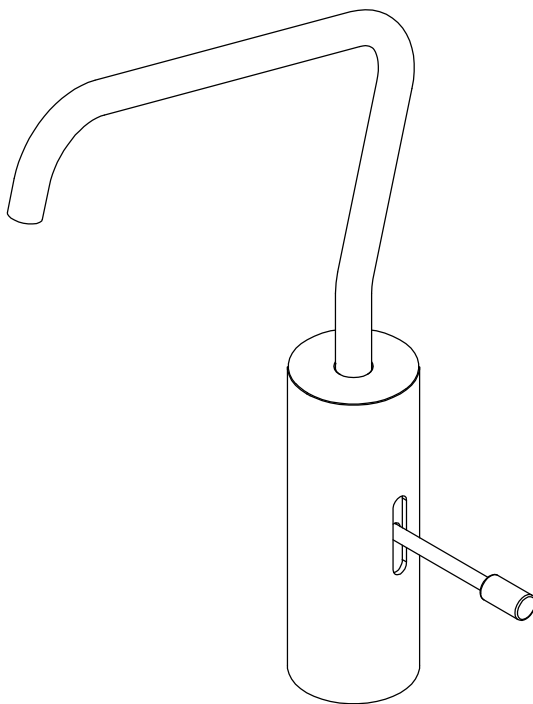
INSTALLATION INSTRUCTIONS

Water Drinking Faucet (Hot & Cold)

無鉛飲水機組

Applicable Product Number:

適用產品型號:



6777-G2-80CP

CARE & CLEANING

清潔與保養

CAUTION : This product might be damaged by improper installation, acid cleaning solution, misuse, improper care and cleaning.

1. Always follow the INSTALLATION INSTRUCTIONS provided and use extreme care while installing.
2. Do not use acid cleaning solution or abrasive cleaner (Ex: Hydrochloric acid or toothpaste); test your cleaning solution on an inconspicuous area before applying to the entire surface.
3. Wipe surfaces clean and rinse completely with water immediately after applying cleaner. Do not soak with cleaners. Rinse and dry any overspray that lands on nearby surfaces.
4. Use a dampened sponge or cloth to clean surface. (Do not use abrasive material such as brush or scouring pad.)

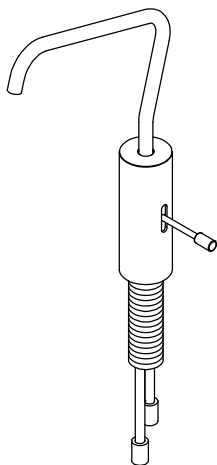
注意：此產品有可能因為不當安裝，誤用酸性清潔劑或清潔方式不正確而造成產品受損。

1. 產品安裝時必須依照產品所附的安裝說明和操作方式安裝。
2. 不可使用含有酸性或具研磨效果的清潔劑清洗（例如：鹽酸、牙膏），請先在產品較不顯眼的地方測試您的清潔方法，然後再應用到整個表面。
3. 產品塗佈清潔劑後，應立即擦拭除污，用清水沖洗，並擦乾產品和檯面。切勿讓清潔劑在產品表面浸濕潤漬過久。
4. 請使用濕海綿或乾淨棉布擦拭產品表面。（不可使用會刮傷或具研磨材質的刷子及鋼刷）。

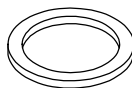
FIXING CONTENTS

組配件內容

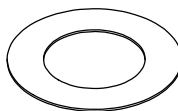
A. Drinking Faucet X 1
飲水機龍頭



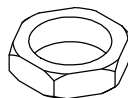
B. Rubber Gasket X 1
橡皮墊片



C. Washer X 1
墊片



D. Lock Nut X 1
固定螺帽



E. Eyelet X 2
鉚釘



F. Cone Washer X 2
錐型墊圈



G. Compression Nut X 2
接管螺帽



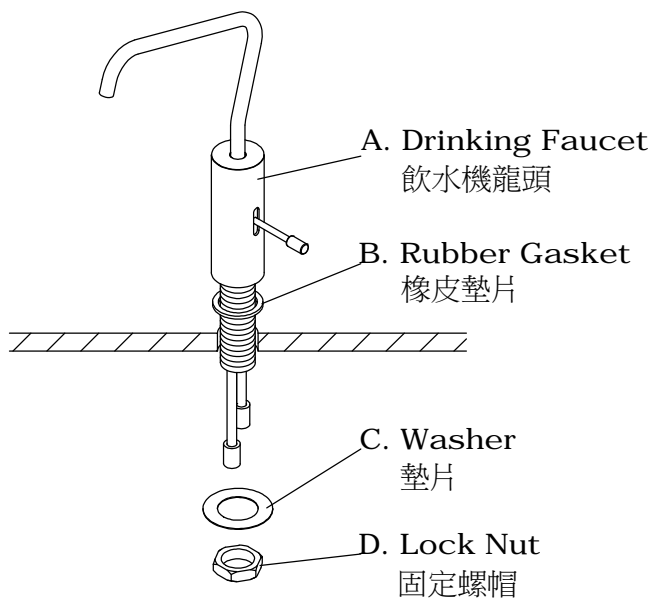
INSTALLATION INSTRUCTIONS

安裝說明

1

* Drill a $\phi 26.0 \pm 3.0$ mm hole on the deck in proper position to install water drinking faucet.

在檯面適當的位置，鑽上 $\phi 26.0 \pm 3.0$ mm的洞，用來安裝飲水機龍頭。



* Slide **Rubber Gasket** onto the **Threaded Shank**, and then insert **Threaded Shank** down trough deck. Assemble **Washer** and **Lock Nut** onto **Threaded Shank**, and then tighten the **Lock Nut**.

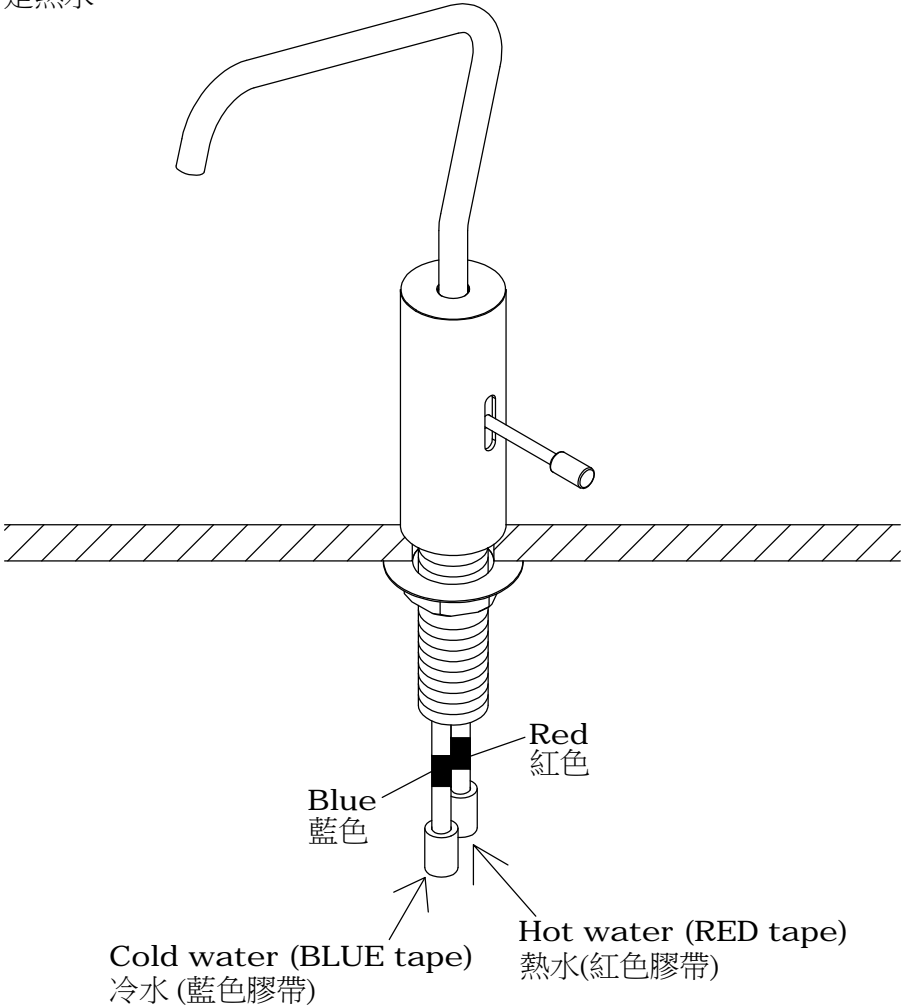
將飲水機龍頭牙管套入橡皮墊片，穿過檯面洞口後。從金屬牙管下方套入墊片，然後鎖緊固定螺帽將飲水機龍頭固定。

2

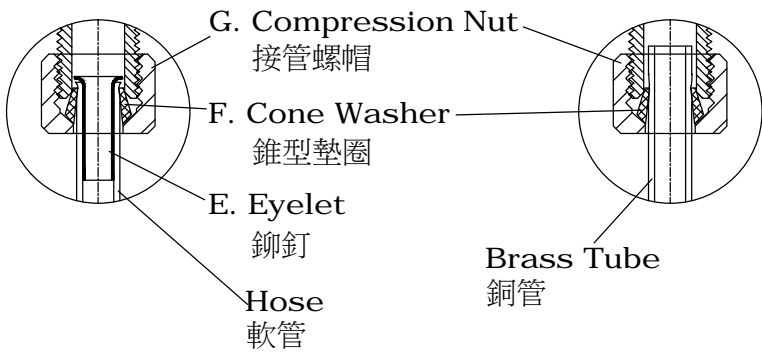
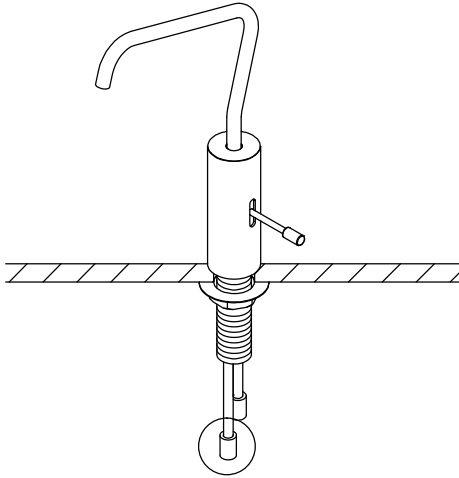
* Differentiate the cold and hot inlets before connecting.

Note: Inlet tube with BLUE tape is for cold water connection; inlet tube with RED tape is for hot water connection.

連接進水管前，先區分好冷熱水，注意藍色膠帶是冷水，紅色膠帶是熱水。



3



* Connect hose or brass tube with **Cone Washer**, **Compression Nut**, and **Eyelet** as fig. shows.

如圖所示，使用錐型墊圈、鉚釘、接管螺帽連接至軟管或銅管。

USE INSTRUCTIONS

使用說明

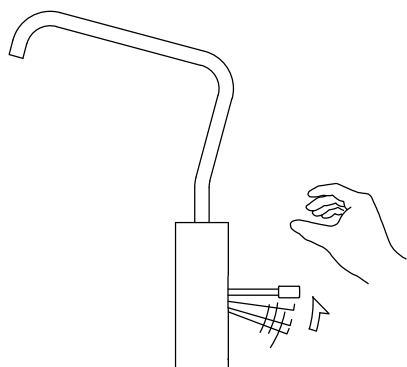
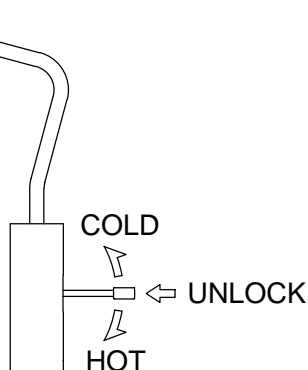


Caution Hot!

Please follow the instructions.

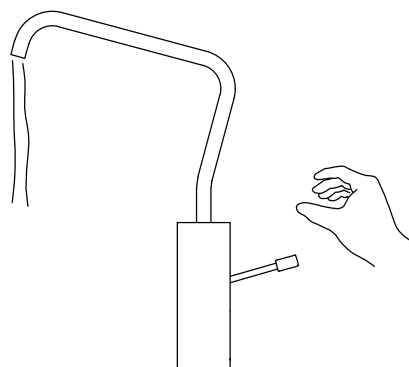
1. Unlock.
2. Select cold or hot water.

為了避免燙傷，開水前須先解鎖。



* Hot water operation has been designed with protective device. The faucet will continuously flow by holding the handle; it will stop flowing and lock again as letting go the handle..

熱水有保護裝置，須持續按壓方可連續出水，放手後將會自動關閉，並上鎖。



* Cold water will keep flowing as operating, and it will be closed by restoring the handle by hand.

冷水放手後仍會出水，須要手動關水。

WARRANTY

Sheng Tai Co., Ltd. offer a three-year warranty on all of the Faucets & Bathroom Accessories from date of purchasing. The warranty covers any defect in material and workmanship during normal residential use. The following conditions of defect are charged for maintaining.

- Damage caused by accident, misuse, improper care and cleaning.
- Improper using or installation.
- Defects because of the external factors, such as erodent environment (ex. Seashore or mineral spring.), animal bites or dead body remains in product etc.
- Defect because of sand or impurity stuck in faucet water way.
- Using water not adhered to the regulations of national standard.
- Deficiency caused by freeze.
- Not showing this warranty card.
- Not filling out in the blank of name of customer, date of purchase, cost of purchase, company of installation (retail store) and stamp on warranty card.
- Sheng Tai Co., Ltd. is not responsible for labor charges, installation, or other incidental or consequential costs.

勝泰衛材股份有限公司提供所有的水龍頭及浴室配件，從購買之日起三年保固。保固範圍包括在一般住宅正常使用的期間，發現產品有任何材質和加工上的瑕疵。如瑕疵有下列情形，將收取維修費用。

- 因意外事故、不當操作使用，不當的保養維護和清洗所造成的損害。
- 不當使用或安裝。
- 外在因素造成產品的瑕疵，如易造成侵蝕的環境（如濱海或溫泉地區）、動物嚙咬或屍體存在於產品內造成的損壞。
- 因砂子或雜質卡住水龍頭水路造成的損壞。
- 沒有依循國家標準的規定使用水源造成的損壞。
- 因冰凍造成的水量不足。
- 未出示此保固卡。
- 未在空白處填寫客戶名稱，購買日期，購買成本，安裝公司（零售商店），及保證卡上未蓋章。
- 勝泰衛材股份有限公司不負責工人費用，安裝，或其他附帶或間接產生的費用。

Customer	Name		Tel	
	Address			
Product	Serial No.		Name	
	Warranty	Three year from date of purchase.		
Purchase place	Store		Tel	
	Address			
Purchase Date				
Purchase Price				

JUSTIME
www.justime.com

SHENG TAI BRASSWARE CO., LTD.

No.99 Sec.3 Chang Tsao Rd. Ho Me, Chang Hua, Taiwan

508 台灣彰化縣和美鎮彰草路3段99號

TEL: +886-4-7629971~4

FAX: +886-4-7526980

E-mail: shengtai@ms10.hinet.net

Facebook: www.facebook.com/JUSTIME