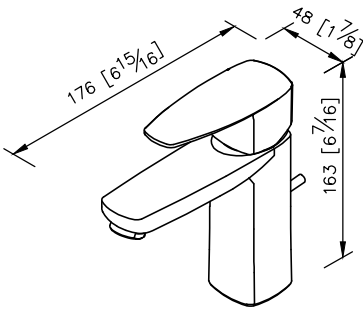


Basin Faucet W/Lift Rod
6779-90-81CP



- 1.Brass with Chrome plated, meet ASTM-SC2 standard, 5 years guarantee.
- 2.Premium Brass with Chrome finished, easy for clean and maintain.
- 3.Handle material meets JIS 3771 Standard.
- 4.Stainless steel braided hose with SANTOPRENE tube (meets NSF approval), can be stood 10 Kg/cm2 water pressure and 120°C heat.
- 5.Aerator flow restrictor (2.2 GPM max).
- 6.Coordinates with other products in Pan 2 Collection.

unit: mm[inch]

