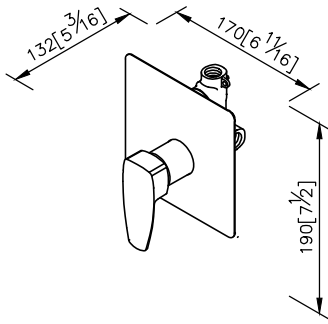


Concealed Mixer Valve
6779-XN-80CP



1. SC2 standard of ASTM.
2. G1/2 inlet.
3. With replaceable check valve both behind hot and cold water 1/2" inlet.
4. Handle can be moved up to 25° to adjust water flow rate from closed position, hot and cold water controlled by swinging handle for 45° both right and left sides.
5. The burying depth of embedded body is between 2"(6cm) Min~3"(7.6cm)Max from the finished wall.

unit: mm[inch]

