

Concealed Mixer Valve W/Check Valve 6779-XP-80CP

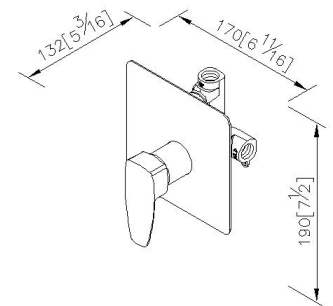
INTRODUCTION:

To create a comfortable bathroom, we have to simplify the idea of its interior design. We would like to present a tidy, functional, but not monotone or narrow shower space for users. Therefore, modern designers have come up a "concealed" conception with bath fittings. By removing the exposed metal pipes, the interior space can be increased a lot, making the bathroom more hygienic and natural. Eventually, taking a shower would be pleased, rather than just functional.



DESCRIPTION:

- 1.The electrodeposited coatings have meet SC2 standard of ASTM. Products would have superior antioxidant abilities, long-term durability, and bright surfaces.
- 2.G1/2 inlet.
- 3.With replaceable check valve both behind hot and cold water 1/2" inlet. The valve can prevent counterflow, and make a high-level safety.
- 4.Handle can be moved up to 25° to adjust water flow rate from closed position, hot and cold water controlled by swinging handle for 45° both right and left sides.
- 5.The burying depth of embedded body is between 2"(6cm)Min~3"(7.6cm)Max from the finished wall.



unit: mm[inch]

Certificaion:

Fixing Kits:

- 1.Hex Key2.5mm*1
- Set Screw*1

AWARD: