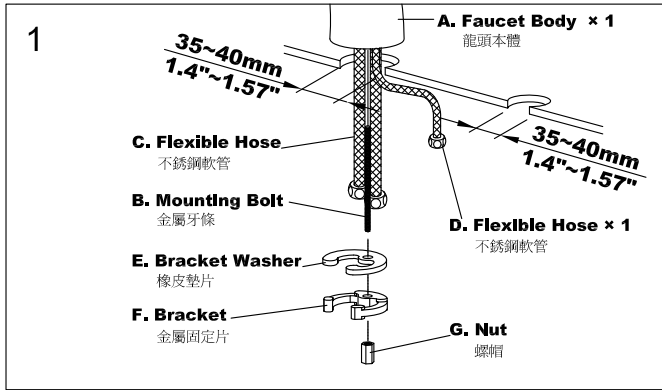


INSTALLATION INSTRUCTIONS

Kitchen Faucet W/Sprayer 廚房龍頭安裝說明

PATENT NUMBER:
專利號碼:
ZL 2007 3 0003296.3
D120291
ZL 2009 2 0169783.0
M371820



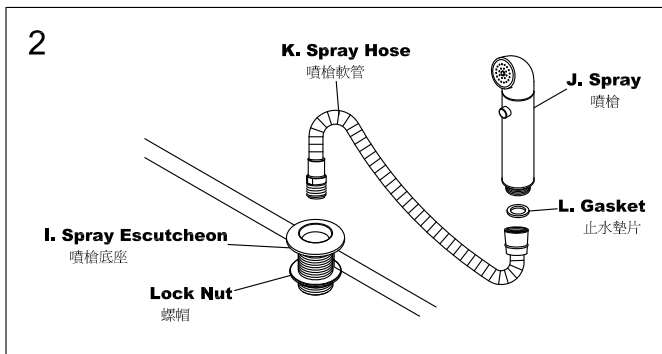
CAUTION : Risk Of Product Damage.

注意：為增加產品使用壽命，請依說明清潔供水管路。

a./ Turn the angle stops (water suppliers) on and run for 1 minute before connect supply hose (flexible hose) to faucet body. or b./

安裝編織管之前，先把供水開關全開排水一分鐘。或 b./
b./ Connect and tighten the faucet and angle stops with supply hose (flexible hose) to finish installation, then remove the aerator, fully turn on the hot and cold water valves on faucet and run for 1 minute, then turn off the water and reinstall the aerator.

把龍頭、供水開關及編織管接好並鎖緊之後，把起泡器移開，把熱水及冷水全部轉開一分鐘，然後把水關掉再把起泡器裝回去。

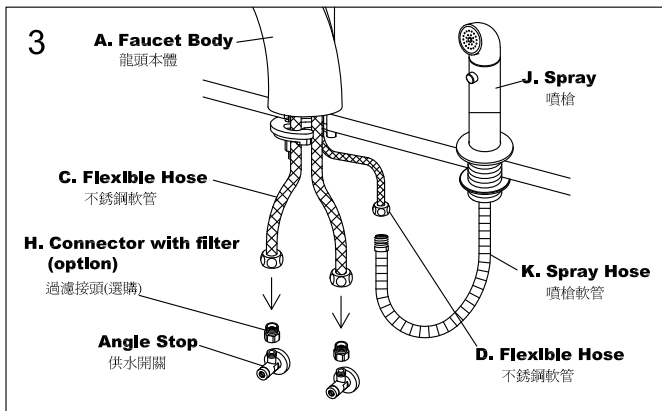


1. Screw **Flexible Hoses** and **Mounting Bolt** into the end of **Faucet Body**, then insert **Flexible Hoses** and **mounting bolt** through hole in fixture. Position **Faucet Body** on fixture and place **Bracket with Bracket Washer** and **Nut** onto **Mounting Bolt**, then tighten **Nut** securely.

先將冷熱進水不銹鋼條軟管和金屬牙條鎖緊固定於龍頭本體上，然後將冷熱進水不銹鋼條軟管和金屬牙條穿過洗臉盆（檯）洞口後，從金屬牙條下方依序套入橡皮墊片、金屬固定片和螺帽，確認方向位置後，鎖緊螺帽固定龍頭即可。

2. Remove the **Lock Nut** from the **Spray Escutcheon** first, then insert the **Spray Escutcheon** into the deck hole and tighten the **Lock Nut** to secure the **Spray Escutcheon** in place.

將噴槍底座上的螺帽鬆開，然後將噴槍底座穿過檯面洞口，鎖緊螺帽固定噴槍底座。



3. Assemble the **Spray** with **Spray Hose**, then insert the **Spray Hose** through the **Spray Escutcheon** and connect the **Spray Hose** to **Faucet Hose-outlet**, tighten it. Install **Connector with Filter (option)** onto the outlet of **Angle Stop** first, then connect **Flexible Hoses** to **Connector with Filter (option)**.

組合噴槍軟管與噴槍，將噴槍軟管穿過底座然後與龍頭小軟管接頭連結鎖緊。最後連接過濾接頭（選擇性零件）到進水開關，再將冷熱進水不銹鋼軟管與過濾接頭（選擇性零件）連結，確認完成安裝程序。

FIXING CONTENTS

組配件內容

