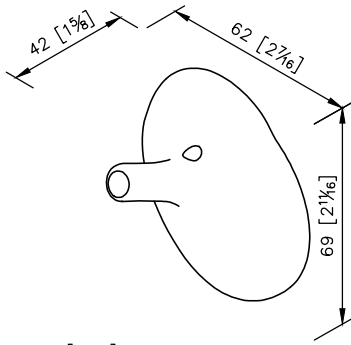


**Robe Hook**  
6781-50-80CP



unit:mm[inch]

- 1.Brass of forging body meets JIS 3771 standard.
- 2.Premium metal construction for durability.
- 3.Justime finishes resist corrosion and tarnish.
- 4.Finish meets the standard of ASTM-SC2.
- 5.Curved shape and smooth surface help to reduce water stains.
- 6.Material of Screw : Stainless steel SUS 304.
- 7.Correctly installed product's loading is 5 kgf.
- 8.Coordinates with other products in Ether collection.

