

## Function 1

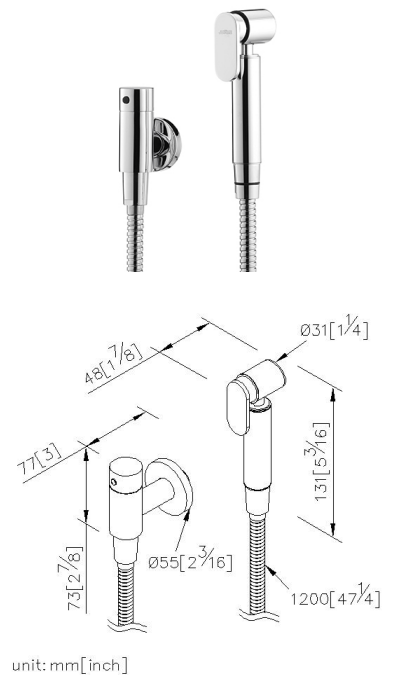
### Sprayer 6796-WS-82CP

#### INTRODUCTION:

Design for convenient operating, the delicate sprayer has advantages of both aesthetic and functionality. It is the best demonstration of pursuing quality, bringing modern fashion for household life. With precise assembly, the sprayer can stand high water pressure and prevent leaking, which also provides efficiency for washing toilets.

#### DESCRIPTION:

1. With R 1/2 to water supply wall outlet.
2. Handle valve turning range from closed position: 90°
3. Ceramic cartridge with brass shell & Japan (MARUWA) ceramic disc. The ceramic disc performs well on wear resistance, having 10 years guarantee.
4. Brass with Chrome plated meets ASTM-SC2 standard; 3 years guarantee.
5. With precise manufacture, the mixer can stand the pressure from 0.1kg to 10kg.



#### Certification:

#### Fixing Kits:

- 1. SUS 304 Stainless Steel Screws\*2
- Plastic Anchors\*2
- Flange\*1
- Holder\*1
- Plastic Lining Holder\*1

#### AWARD: