

INSTALLATION INSTRUCTIONS

Mixer Valve 冷熱調節閥安裝說明

WARNING: Always turn off **Valve** with **Hexagon Key(2.5mm)** provided before starting. Keep the distance from **Finished Wall** to **Plastic Guard** surface between 0~2cm(0.78")max.
注意: 開始安裝前, 務必用隨附的六角扳手(2.5mm)將冷熱供水開關關閉。(順時鐘方向旋轉, 即可關閉開關)。牆壁與塑膠保護蓋表面保持在0~2cm(0.78")。

1. Apply pipe compound or sealant tape to Hot and Cold water supply line then connect with **Mixer Valve body** as Fig. 1 shown.
如圖示1所示, 先將冷熱水供應管線的牙塗上管牙膠或包覆止洩帶, 然後再與閥體組裝。
2. Remove **Plastic Guard** before installing **Faceplate (Trim)** and cut overlong **Valve Spindle** to certain length as shown for fixing **Handle**. Then close **Mixer Valve** with **Hexagon Key (2.5mm)** clockwise as Fig.2 shown.
如圖示2所示, 安裝前先移除保護蓋並可依情況將過長的桿子切除, 然後用六角扳手順時鐘方向關閉閥體。
3. Install **Faceplate (Trim)** and **Angle Valve** first, then open the **Mixer Valve** with **Hexagon Key** as Fig.3 shown.
如圖示3所示, 用螺絲將面板固定住, 然後在套入法蘭蓋上凡而本體之後用六角扳手打開開關。
4. Locate the **Handle** onto the **Valve Spindle**, and fix the **Handle** with **Set Screw** as Fig.4 shown.
如圖示4所示, 將埋頭螺絲用六角扳手將把手固定住。

Note: The **Mixer Valve Handle** only for adjust water temperature. Keeping the **Hexagon Key (2.5mm)** provided for open & close **Valve** in future if necessary.
注意: 冷熱調節閥的把手僅為調整水溫的功能。如有需要請保留隨附的六角扳手(2.5mm)以供往後打開或關閉閥體。

The thread of both hot and cold inlets are 1/2 BSPT. Please purchase the additional **Connectors** for different specification of pipes.
閥體本身進水口的牙規格為1/2 BSPT, 如不符合使用規格請加購轉接頭

5. Drill and insert **Plastic Anchors** flush with wall at proper position, and fix **Holder** on the wall with **Wall Screw** then insert **Plastic Lining** into **Holder**. as Fig. 5 shown.
如圖示5所示, 在牆壁上鑽孔並填入塑膠塞使之齊平於牆面, 利用螺絲將掛架固定於牆上然後裝入掛架塑膠內襯。
6. Connect **Flexible Hose** and **Rubber Packings** to **Angle Valve** and **Spray**. as Fig. 6 shown.
如圖示6所示, 將墊圈裝入噴槍蛇管並用噴槍蛇管連接凡而本體及噴槍。

CAUTION : Risk Of Product Damage.

注意: 為增加產品使用壽命, 請依說明清潔供水管路。

When finished installation, turn the valve on and run for 1 minute before using.
完成安裝後, 需在使用前先把供水開關全開排水持續一分鐘。

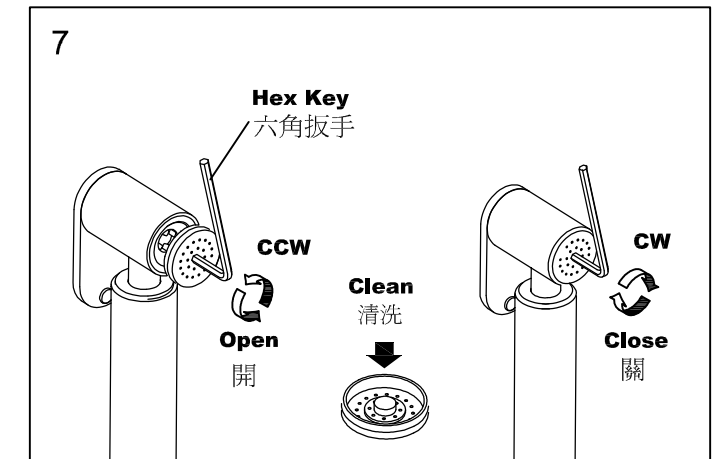
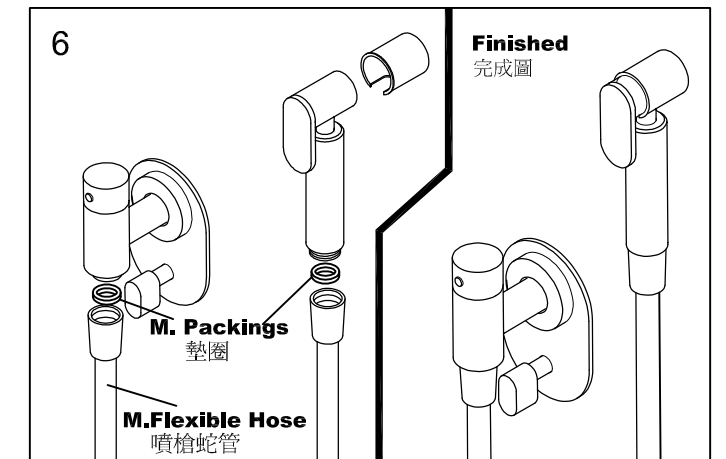
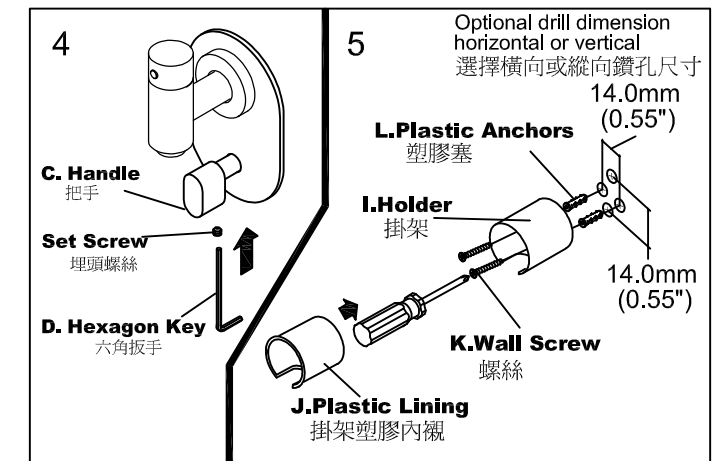
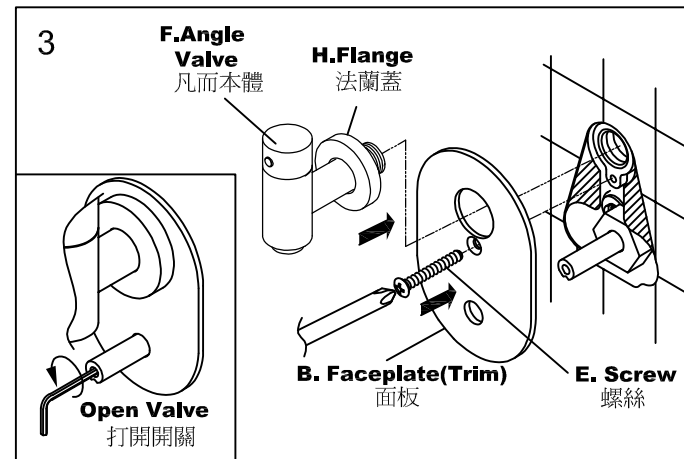
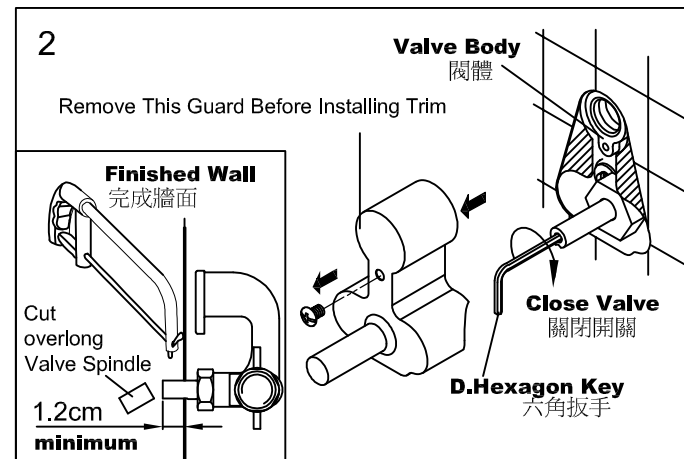
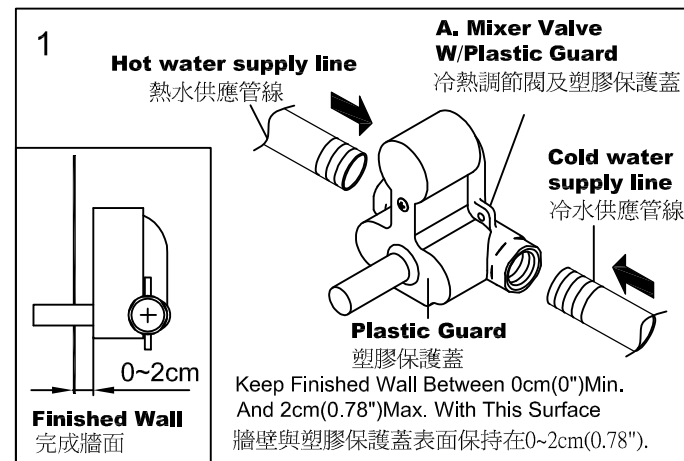
MAINTAINING 維護方式

1. To clean the plastic meshes cover, please using 4mm **Hex Key** to remove the plastic meshes cover only. As Fig. 7 shown.

清潔噴灑頭塑膠蓋, 如圖7指示, 使用 4mm六角扳手開啓或裝置噴灑頭塑膠蓋。

CAUTION 注意事項

1. Do not remove inner metal seal. Reassembly the inner metal seal parts may cause the sprayer not functioning well or may damage to the sprayer.
請勿取出內部金屬止水零件。重新組裝內部金屬止水零件, 可能導致噴槍功能失效或嚴重損壞噴槍。
2. Do not overtightening the plastic meshes cover when reassembly, or may damage the plastic meshes cover hex hole.
重新裝置噴灑頭塑膠蓋時, 請勿過度鎖緊, 損壞塑膠六角內孔。



FIXING CONTENTS

組配件內容

