

Function 2

Sensor Basin Faucet (Cold Only)(DC) 6797-S0-80CP

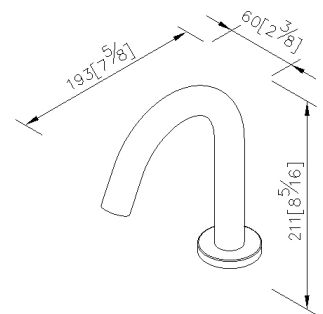
INTRODUCTION:

In the earlier periods, the principal Greek architectural feature emphasizes on column. As the temple developed towards a more elegant architectural style, the columns became more and more slender. The Temple of Athena Nike and Parthenon become the famous edifice as the cylindrical element. Inspired by the column as main idea, 6797 series has been designed with simple but elegant cylindrical shape, which displays a sense of simplicity and harmony.



DESCRIPTION:

1. Infrared Sensor Automatic Detection
2. Safety Guard: Valve off if water flowing over 60sec.
3. Automatically detect the environment, adjust the sensor, and have anti-interference function.
4. Inner filter prevent the blockage of sensor valve.
5. Power Source: Alkaline Battery AA x 4, DC6V(1.5V x 4)
6. Battery life test: about 300,000 alkaline batteries; about 100,000 carbon zinc batteries.
7. Flush Mode: Water start flowing if valid sensing around 0.5sec~1.0sec
8. Low power prompt: When battery power is low, red indicator light will be flashed for prompting battery replacement.
9. The faucet valve can stand the pressure from 0.5 to 6 kgf/cm²



unit:mm[inch]

Certification:

Fixing Kits:

1. SUS 304 Stainless Steel Screws*8
- Hex Key 2.0mm*1
- Plastic Anchors*5

AWARD: