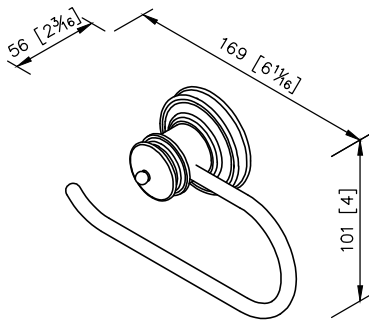
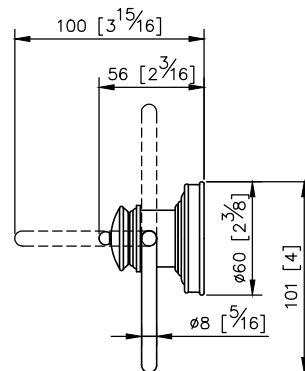
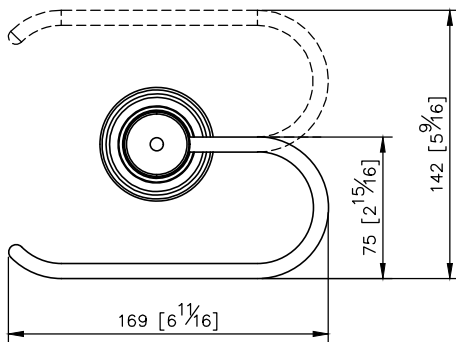
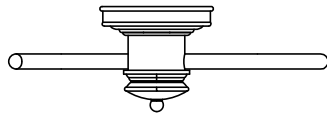


Toilet Tissue Holder
6803-40-80CP



unit: mm[inch]

- 1.Brass meets JIS 3604 standard.
- 2.Premium metal construction for durability.
- 3.Justime finishes resist corrosion and tarnish.
- 4.Finish meets the standard of ASTM-SC2.
- 5.The pedestal could increase the stability for user.
- 6.Correctly installed product's loading is 5 kgf.
- 7.The cylinder plinth of the bathroom accessories could increase the elegance for environment.



Mounting Template Specification

