

Toilet Tissue Holder W/Lid
6807-41-80CP

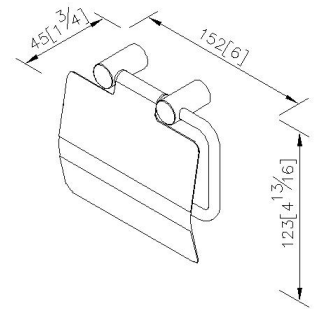
INTRODUCTION:

Simple and elegant style of bathroom accessories turn into a basic demand of modern customer, as main design as slender cylinder, which present design features.



DESCRIPTION:

- 1.Brass of body meets JIS 3604 standard.
- 2.Premium metal construction for durability.
- 3.Justime finishes resist corrosion and tarnish.
- 4.Finish meets the standard of ASTM-SC2.
- 5.Correctly installed product's loading is 5 kgf.
- 6.Coordinates with other products in Still One Collection.



unit: mm[inch]

Certification:

Fixing Kits:

- 1.SUS 304 Stainless Steel Screws *2
- Hex Key 1/8" *1
- Plastic Anchors *2
- Material of Wall Mount Bracket: Copper JIS3604 *2

AWARD: