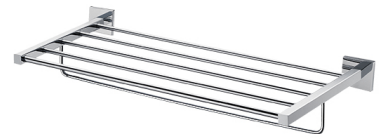


## Bath Towel Rack W/Rail 6818-66-80CP

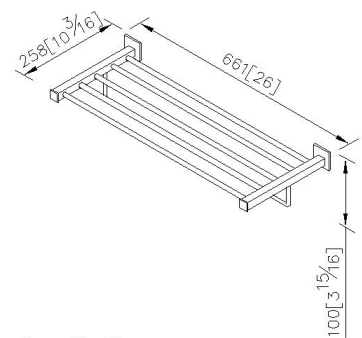
### INTRODUCTION:

Combine the straight line with precise right angle, the square body symbolize steady, elevation and also high quality.



### DESCRIPTION:

- 1.Brass of body meets JIS 3604 standard
- 2.Premium metal construction for durability
- 3.Justime finishes resist corrosion and tarnish
- 4.Finish meets the standard of ASTM-SC2.
- 5.The simply design concept could be collocated with diverse space
- 6.Correctly installed product's loading is 5 kg f
- 7.The size of towel bar: 600mm
- 8.The design of rack can decrease the water accumulated
- 9.The towel rail adds the varied using mode
- 10.Coordinates with other products in Boulevard collection



unit: mm[inch]

### Certificaion:

### Fixing Kits:

- 1.SUS 304 Stainless Steel Screws\*4
- Plastic Anchors\*4
- Material of Wall Mount Bracket: Steel with zinc plating\*2

### AWARD: