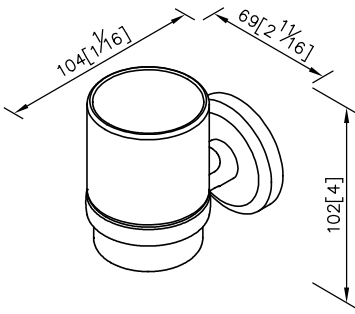


**Tumbler Holder**  
**6864-30-80CP**



unit: mm[inch]

- 1.Brass of forging body meets JIS 3771 standard.
- 2.Premium metal construction for durability.
- 3.Justime finishes resist corrosion and tarnish.
- 4.Finish meets the standard of ASTM-SC2.
- 5.The simply design concept could be collocated with diverse space.
- 6.Correctly installed product's loading is 2 kgf.
- 7.Transparent glass tumbler.
- 8.Capacity: 180ml.
- 9.Coordinates with other products in 6864 collection.

