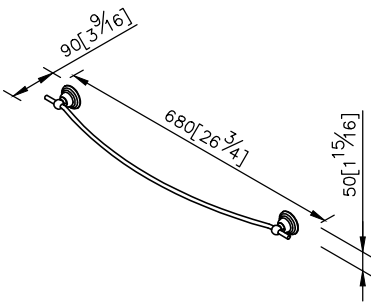


**Towel Bar**  
**6873-10-80CP**



- 1.Brass forging mounting base meets JIS 3771 standard.
- 2.Brass towel bar meets JIS C2700 standard.
- 3.Justime finishes resist corrosion and tarnish.
- 4.Chrome plated finish meets the standard of ASTM-SC2.
- 5.Vertical force could support a static load of 4 Kgf.
- 6.Towel bar length 600mm.
- 7.Coordinates with other products in 6873 collection.

unit: mm[inch]

