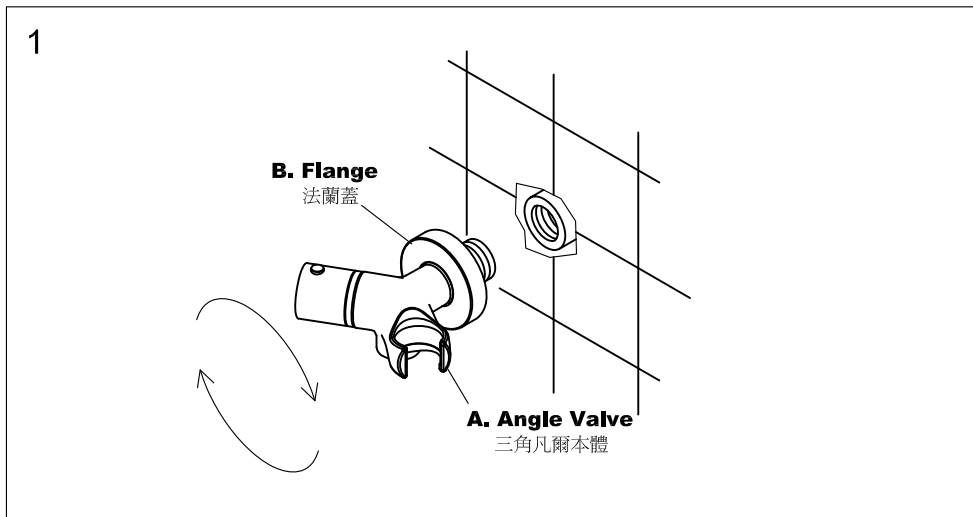


INSTALLATION INSTRUCTIONS

Angel Valve W/Holder

三角凡爾+掛鉤



CAUTION : Prevent The Risk Of Product Damage.

注意：為增加產品使用壽命，請依說明清潔供水管路。

When finished installation, turn the valve on and run for 1 minute before using.

完成安裝後，需在使用前先把供水開關全開排水持續一分鐘。

1. Apply pipe compound or thread sealant tape to the 1/2" end, and then screw **Angle Valve** with **Flange** into wall water outlet. (Fig.1)

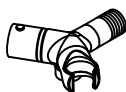
將三角凡爾1/2"牙塗上管牙膠或包覆止洩帶，再連同法蘭蓋一起鎖入牆壁出水口。(圖.1)

FIXING CONTENTS

組配件內容

A. Angle Valve × 1

三角凡爾本體



B. Flange × 1

法蘭蓋

