

Asymmetry

Soap Dispenser 6891-25-80CP

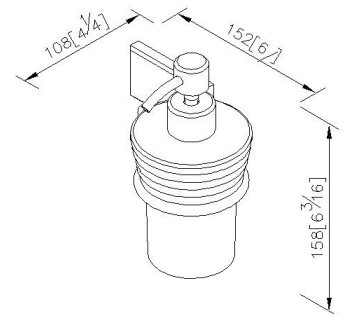
INTRODUCTION:

Combination of thin base and cylinder displays the beauty of asymmetry.



DESCRIPTION:

- 1.Brass forging faceplate meets JIS 3771 standard.
- 2.Brass supporting ring material meets JIS 3604 standard.
- 3.Justime finishes resist corrosion and tarnish.
- 4.Chrome plated finish meets the standard of ASTM-SC2
- 5.Frosted glass soap dispenser increases visual softness.
- 6.Vertical force could support a static load of 2 Kgf.
- 7.Capacity of the dispenser is 200ml.
- 8.Coordinates with other products in 6891 collection.



unit: mm[inch]

Certification:

Fixing Kits:

- 1.SUS 304 Stainless Steel Screws*2
- Plastic Anchors*2
Material of Wall Mount Bracket: Steel with zinc plating*1

AWARD: