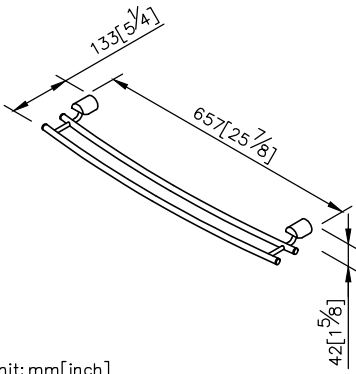


## Double Towel Bar 6892-14-80CP

- 1.Brass forging mounting base meets JIS 3771 standard.
- 2.Brass body meets JIS 3604 standard.
- 3.Brass towel bar meets JIS C2700 standard.
- 4.Chrome plated finish meets the standard of ASTM-SC2.
- 5.Vertical force could support a static load of 4 Kgf.
- 6.The length of towel bar: 657mm.
- 7.Double towel bars provides more convenience.
- 8.Coordinates with other products in 6892 collection.



unit: mm[inch]

