

Toilet Tissue Holder W/Lid  
6893-41-80SS

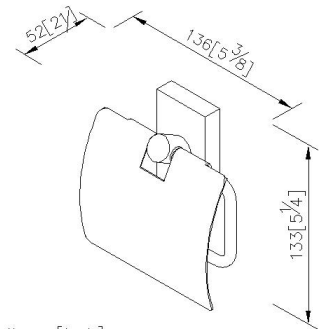
**INTRODUCTION:**

Incepted imitation of traditional brick for the main shape, the precise section and brushed surface display elegant demeanor.



**DESCRIPTION:**

- 1.Brass forging faceplate meets JIS 3771 standard.
- 2.Brass bracket material meets JIS 3604 standard.
- 3.Toilet tissue holder ring and top lid with stainless steel meets SUS 304 standard.
- 4.Toilet tissue holder ring and top lid are with brushed finish, which is easy to maintain with a scouring pad.
- 5.Vertical force could support a static load of 5 Kgf.
- 6.The brick type faceplate of the bathroom accessories increases the elegance for the environment.
- 7.Coordinates with other products in 6893 collection.



unit: mm[inch]

**Certificaion:**

**Fixing Kits:**

- 1.SUS 304 Stainless Steel Screws\*2
- Plastic Anchors\*2  
Material of Wall Mount Bracket: Steel with zinc plating\*1

**AWARD:**