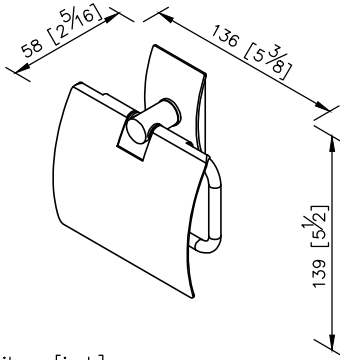
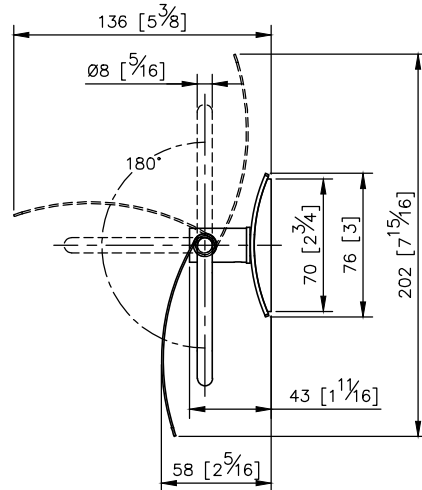
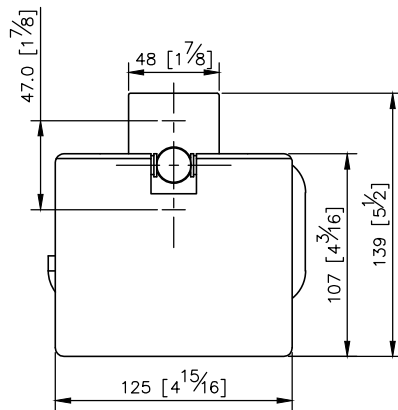
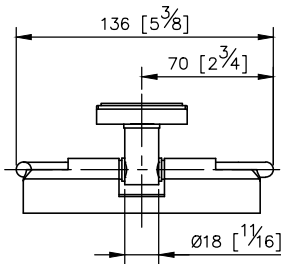


**Toilet Tissue Holder W/Lid**  
**6899-41-80S1**



unit: mm[inch]

1. Plastic mounting base with brass core.
2. Stainless Steel ring and faceplate meets SUS 304 standard.
3. Top lid material is stainless steel.
4. Justime finishes resist corrosion and tarnish.
5. Finish meets the standard of ASTM-SC2.
6. The simple design concept could be collocated with diverse space.
7. Correctly installed product loading is 5 Kgf.
8. Coordinates with other products in 6899 collection.



**Mounting Template Specification**

