

Aurora

Grab Bar 6899-55-80S1

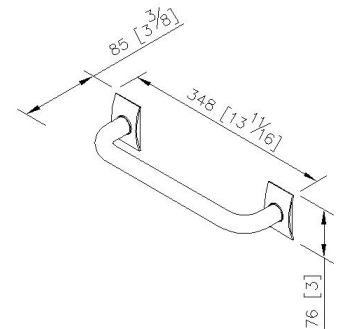
INTRODUCTION:

The simple curve base is designed with the brushed finish to display the beauty of fashion.



DESCRIPTION:

1. Stainless steel faceplate with brushed finish.
2. Forging brass mounting base meets JIS 3771 standard.
3. Stainless Steel faceplate and grab bar meet SUS 304 standard.
4. Justime finishes resist corrosion and tarnish.
5. Finish meets the standard of ASTM-SC2.
6. Correctly installed product loading is 120 kgf.
7. Equipped with stainless steel screws to secure installation.
8. Coordinates with other products in 6899 collection.



unit: mm[inch]

Certification:

Fixing Kits:

1. SUS 304 Stainless Steel Screws*8
Plastic Anchors*8

AWARD: