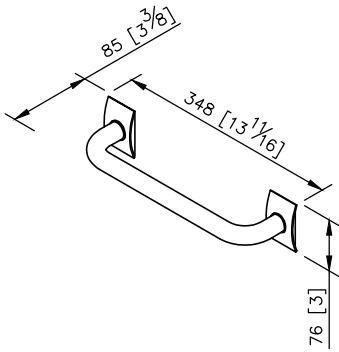


Grab Bar
6899-55-80S1



1. Stainless steel faceplate with brushed finish.
2. Forging brass mounting base meets JIS 3771 standard.
3. Stainless Steel faceplate and grab bar meet SUS 304 standard.
4. Justime finishes resist corrosion and tarnish.
5. Finish meets the standard of ASTM-SC2.
6. Correctly installed product loading is 120 kgf.
7. Equipped with stainless steel screws to secure installation.
8. Coordinates with other products in 6899 collection.

unit: mm[inch]

