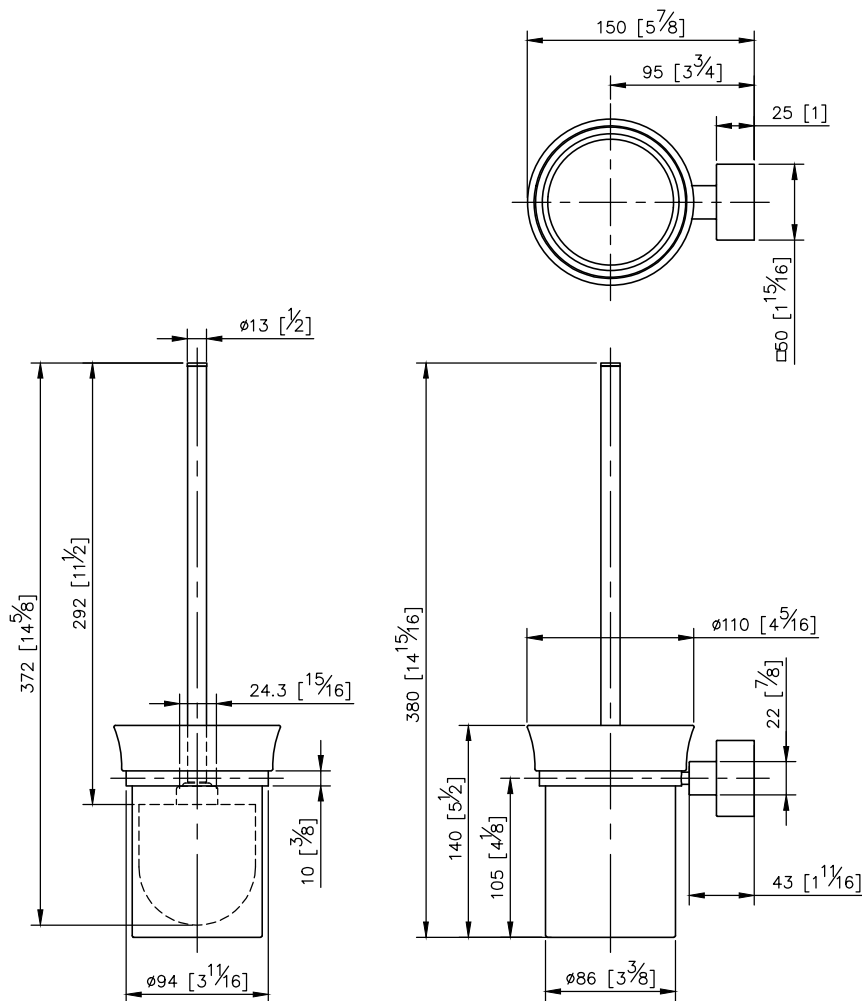
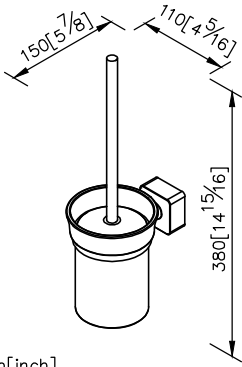


**Toilet Brush Holder**  
6900-80-80CP

- 1.Brass forging body and ring meets JIS 3771 standard.
- 2.Premium metal construction for durability.
- 3.Justime finishes resist corrosion and tarnish.
- 4.Chrome plated finish meets the standard of ASTM-SC2.
- 5.Vertical force could support a static load of 2 Kgf.
- 6.Porcelain white brush holder is easy to be maintained.
- 7.Standard size of brush could be easily replaced to keep clean.
- 8.Coordinates with other products in 6900 collection.

unit: mm[inch]



**Mounting Template Specification**

