

Towel Ring 6904-60-80MA

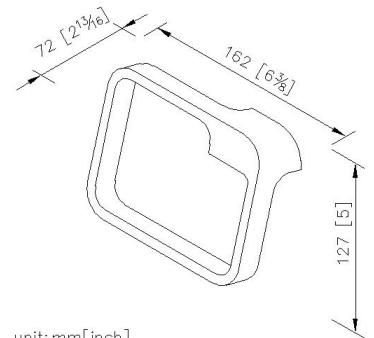
INTRODUCTION:

In the East, dragon represents honor and has auspicious meaning. Dragon Bathroom Accessories are made with Dragon inspired details. Dragon Accessories creates unique bathing spaces. The product's appearance was encouraged to follow the idea of "the Form Follows Function". The Accessories' concise shapes provide stability for users.



DESCRIPTION:

1. Aluminium body meets 6061T6 standard
2. Premium metal construction for durability
3. Justime finishes resist corrosion and tarnish
4. Correctly installed product loading is 4 kg f
5. Towel Ring has been designed with 15 degrees inclination for convenient using
6. The one-piece design could prevent the filth from accumulating and help easy cleaning as a result
7. Coordinates with other products in Dragon collection



Certification:

Fixing Kits:

- SUS 304 Stainless Steel Screws *2
- Hex Key 2.5mm *1
- Plastic Anchors *2
- Material of Wall Mount Bracket: Zinc alloy *1

AWARD:

