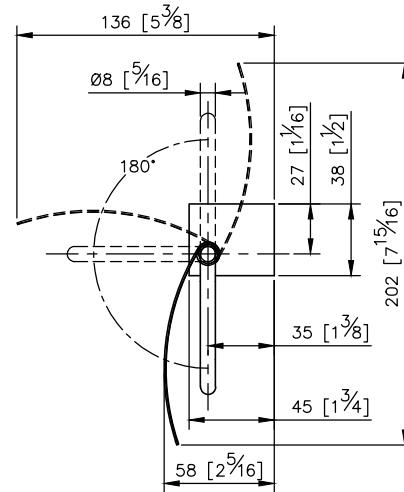
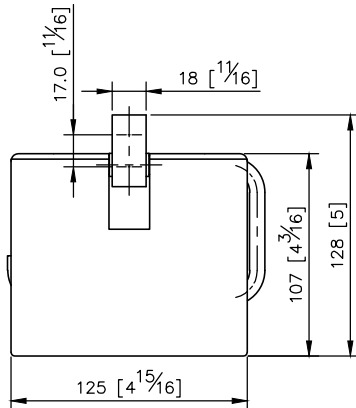
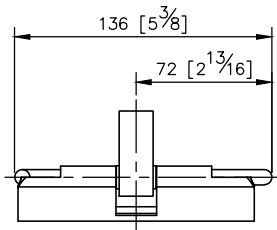


unit: mm[inch]

Toilet Tissue Holder W/Lid
6908-41-80CP

- 1.Brass mounting base and toilet tissue ring meet JIS 3604 standard.
- 2.Justime finishes resist corrosion and tarnish.
- 3.Chrome plated finish meets the standard of ASTM-SC2.
- 4.The pedestal could increase the stability for operation.
- 5.Vertical force could support a static load of 5 Kgf.
- 6.With top lid.
- 7.The square pedestal of the bathroom accessories could increase the elegance for the environment.
- 8.Coordinates with other products in 6908 collection.



Mounting Template Specification

