

Mark 1

Soap Dish 6909-20-80CP

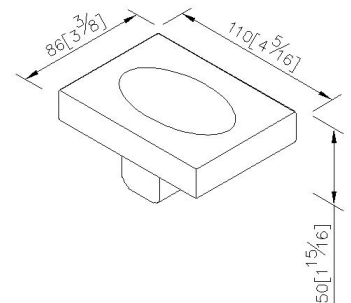
INTRODUCTION:

Elongated cuboids become the main design of body, symmetrical lines bring out the harmony of beauty and the simple visualization.



DESCRIPTION:

- 1.Brass mounting base meets JIS 3604 standard.
- 2.Premium metal construction for durability.
- 3.Justime finishes resist corrosion and tarnish.
- 4.Chrome plated finish meets the standard of ASTM-SC2.
- 5.Vertical force could support a static load of 2 Kgf.
- 6.Frosted glass soap dish.
- 7.Special design on inner surface, in which the soaps won't slip out of the plate.
- 8.Coordinates with other products in 6909 collection.



unit: mm[inch]

Certification:

Fixing Kits:

- SUS 304 Stainless Steel Screws*2
- Hex Key 2.5mm*1
- Plastic Anchors*2
- Material of Wall Mount Bracket: Zinc alloy*1

AWARD: