

Mark 1

Soap Dispenser 6909-25-80CP

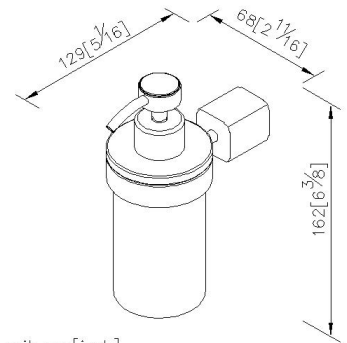
INTRODUCTION:

The square body has been designed with the smooth arc to soften the sharp angle and increase the comfortable sense.



DESCRIPTION:

- 1.Brass mounting base meets JIS 3604 standard.
- 2.Brass forging ring meets JIS 3771 standard.
- 3.Justime finishes resist corrosion and tarnish.
- 4.Chrome plated finish meets the standard of ASTM-SC2.
- 5.Frosted glass soap dispenser increases visual softness. Capacity is 140ml.
- 6.Vertical force could support a static load of 2 Kgf.
- 7.Coordinates with other products in 6909 collection.



Certification:

Fixing Kits:

- SUS 304 Stainless Steel Screws*2
- Hex Key 2.5mm*1
- Plastic Anchors*2
- Material of Wall Mount Bracket: Zinc alloy*1

AWARD: