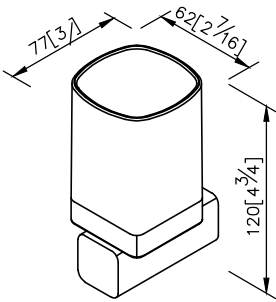
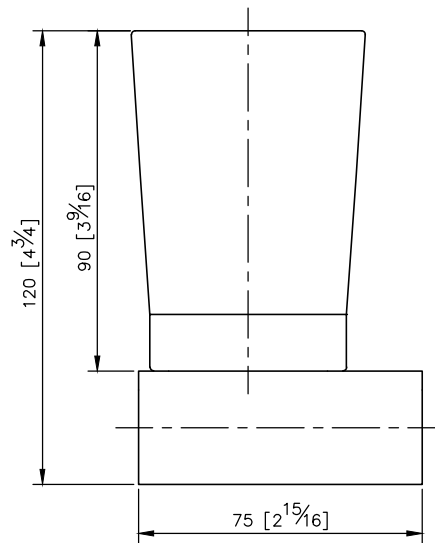
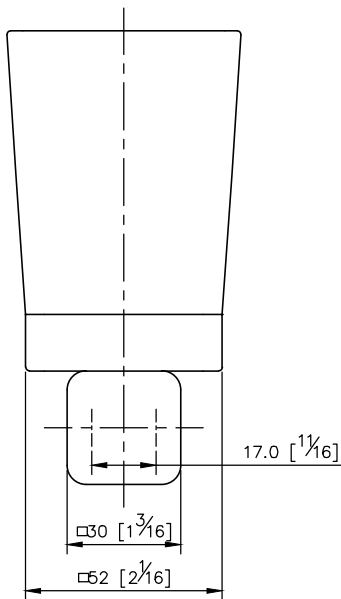
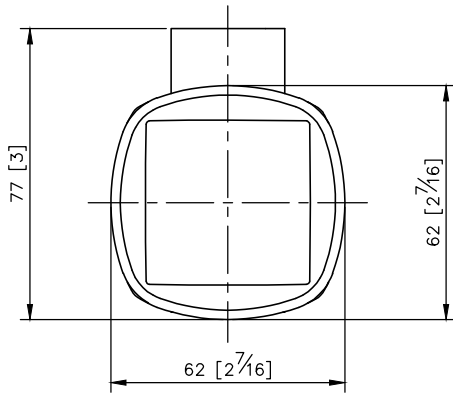


**Tumbler Holder**  
6909-30-80CP



- 1.Brass mounting base meets JIS 3604 standard.
- 2.Premium metal construction for durability.
- 3.Justime finishes resist corrosion and tarnish.
- 4.Chrome plated finish meets the standard of ASTM-SC2.
- 5.Vertical force could support a static load of 2 Kgf.
- 6.Frosted glass tumbler, capacity is 140ml.
- 7.Coordinates with other products in 6909 collection.

unit: mm[inch]



**Mounting Template Specification**

