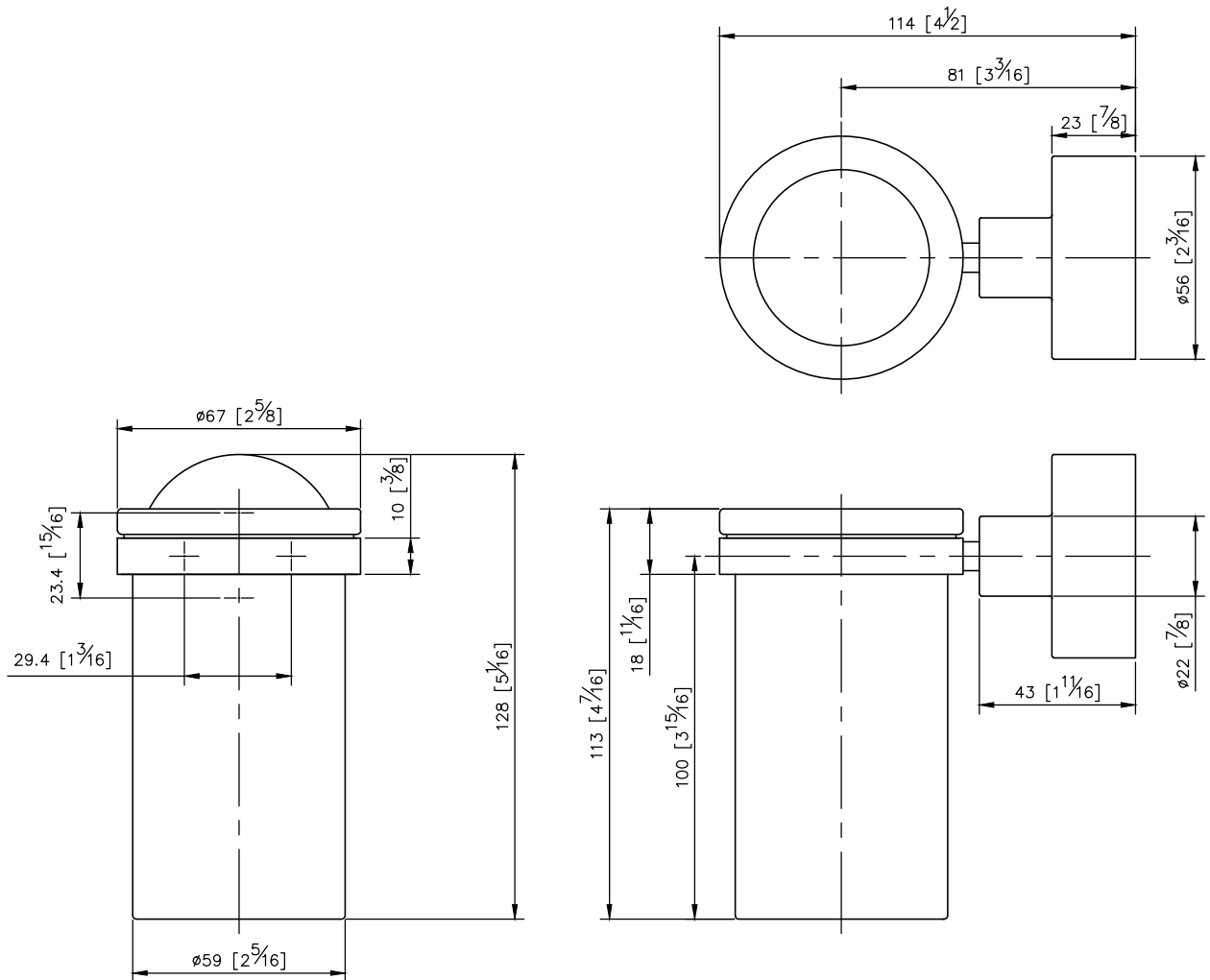


unit: mm[inch]

Tumbler Holder 6910-30-80CP

- 1.Brass forging mounting base and ring meet JIS 3771 standard.
- 2.Premium metal construction for durability.
- 3.Justime finishes resist corrosion and tarnish.
- 4.Chrome plated finish meets the standard of ASTM-SC2.
- 5.Frosted glass tumbler increases visual softness.
- 6.After well installed holder can load up to 2 Kgf.
- 7.Capacity is 160ml.
- 8.Coordinates with other products in 6910 collection.



Mounting Template Specification

