

Toilet Tissue Holder
6910-40-80CP

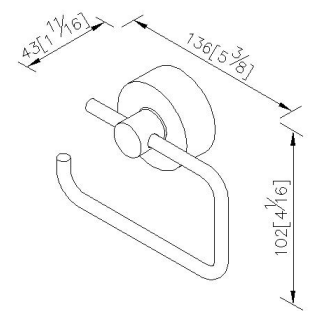
INTRODUCTION:

The dignified design with perfectly round shape displays the extraordinary values under the plain appearance.



DESCRIPTION:

- 1.Brass forging mounting base meets JIS 3771 standard.
- 2.Brass ring meets JIS 3604 standard.
- 3.Brass with chrome plated finish meets the standard of ASTM-SC2.
- 4.The pedestal could increase the stability for user.
- 5.Correctly installed product loading is 5 Kgf.
- 6.The cylinder pedestal of the bathroom accessories could increase the elegance for environment.
- 7.Coordinates with other products in 6910 collection.



unit:mm[inch]

Certification:

Fixing Kits:

- 1.SUS 304 Stainless Steel Screws*2
- Hex Key 2.0mm*1
- Plastic Anchors*2
- Material of Wall Mount Bracket: Steel with zinc plating*1

AWARD: