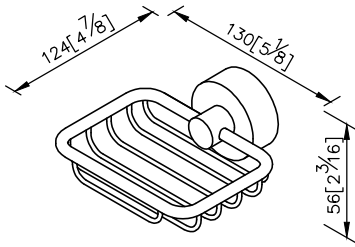
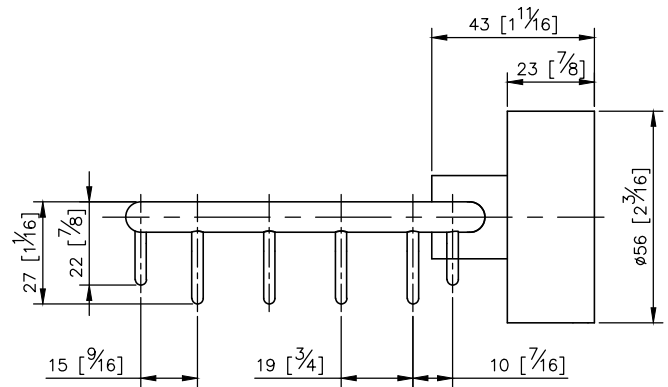
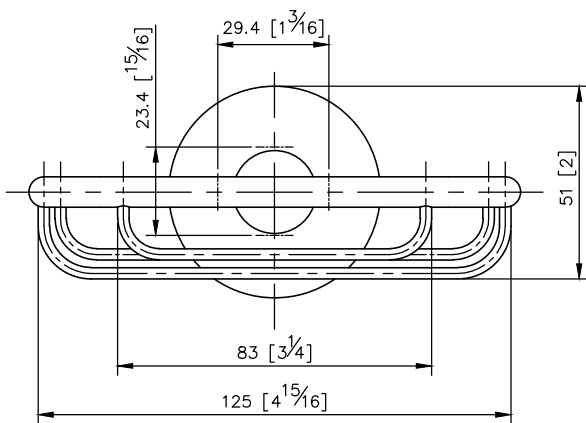
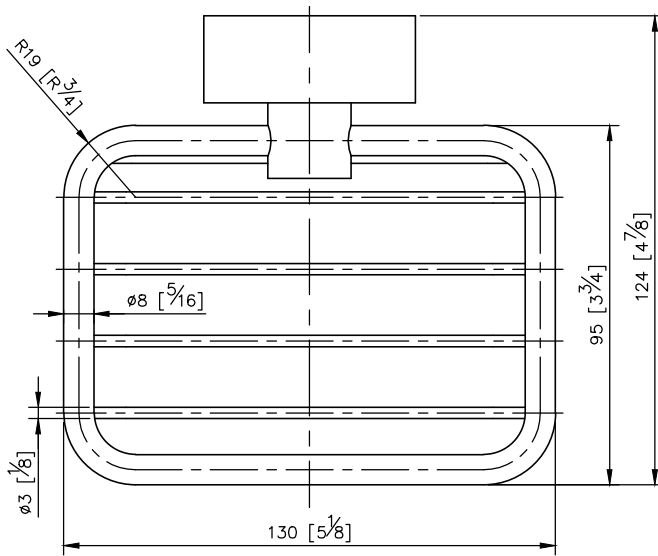


Shower Basket
6910-87-80CP



- 1.Brass forging mounting base meets JIS 3771 standard.
- 2.Justime finishes resist corrosion and tarnish.
- 3.Chrome plated finish meets the standard of ASTM-SC2.
- 4.Brass basket dimension 130*95*27mm.
- 5.Correctly installed product loading is 5 Kgf.
- 6.Coordinates with other products in 6910 collection.

unit: mm[inch]



Mounting Template Specification

