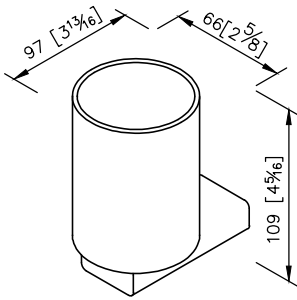
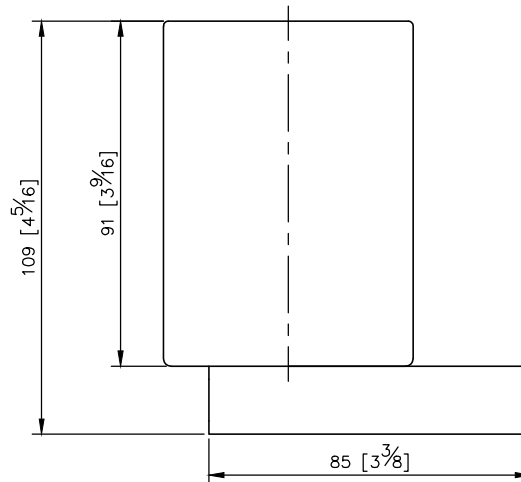
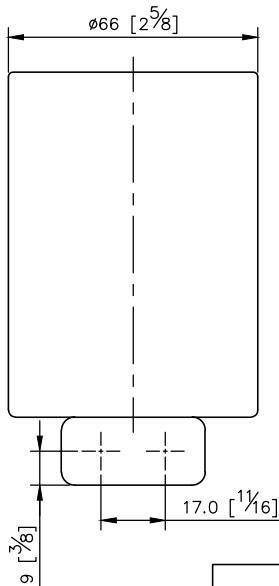
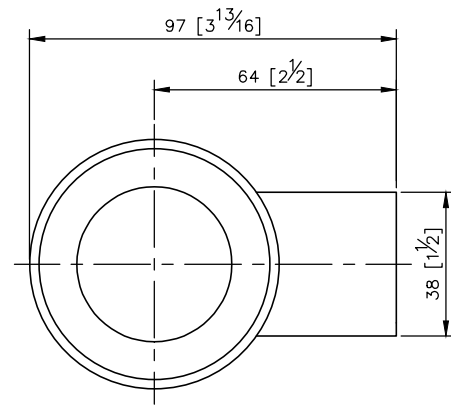


**Tumbler Holder**  
6919-30-80CP



- 1.Brass material meets JIS 3604 standard.
- 2.Premium metal construction for durability.
- 3.Justime finishes resist corrosion and tarnish.
- 4.Chrome plated finish meets the standard of ASTM-SC2.
- 5.Vertical force could support a static load of 2 Kgf.
- 6.Frosted glass tumbler with capacity 140ml.
- 8.Coordinates with other products in 6919 collection.

unit: mm[inch]



**Mounting Template Specification**

