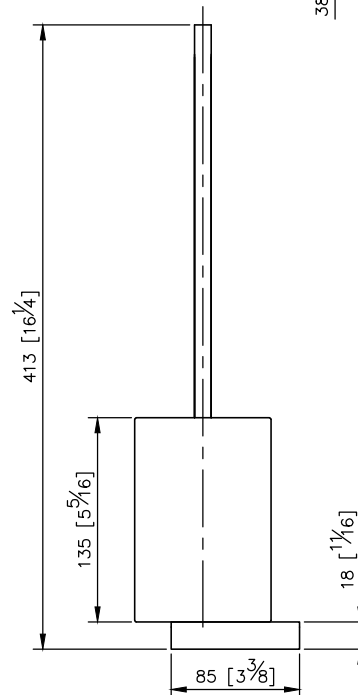
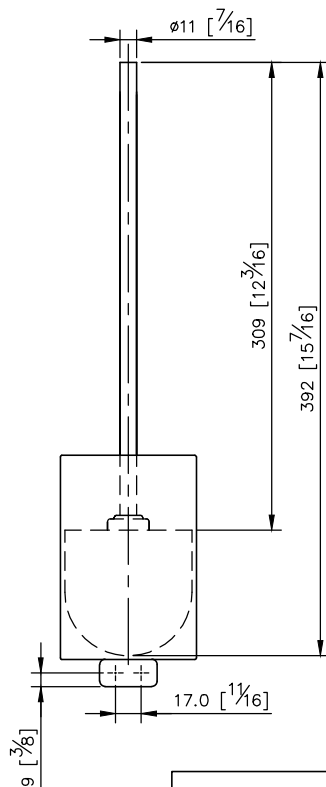
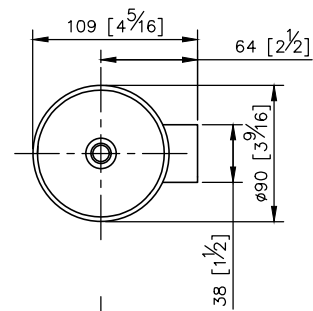


unit: mm[inch]

Toilet Brush Holder 6919-80-80CP

- 1.Brass of supporting body meets JIS 3604 standard.
- 2.Premium metal construction for durability.
- 3.Justime finishes resist corrosion and tarnish.
- 4.Chrome plated finish meets the standard of ASTM-SC2.
- 5.Vertical force could support a static load of 2 kgf.
- 6.Frosted P.P. brush holder is easy to be maintained.
- 7.Standard size of brush could be easily replaced to keep clean.
- 8.Coordinates with other products in 6919 collection.



Mounting Template Specification

