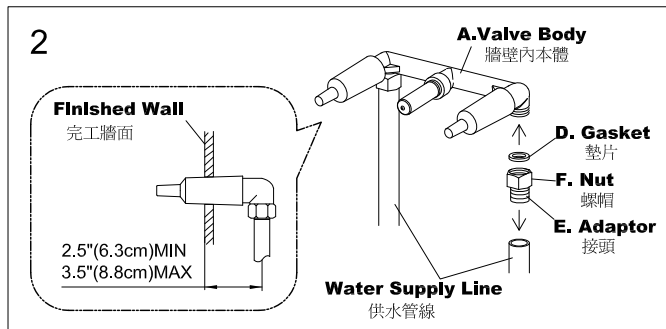
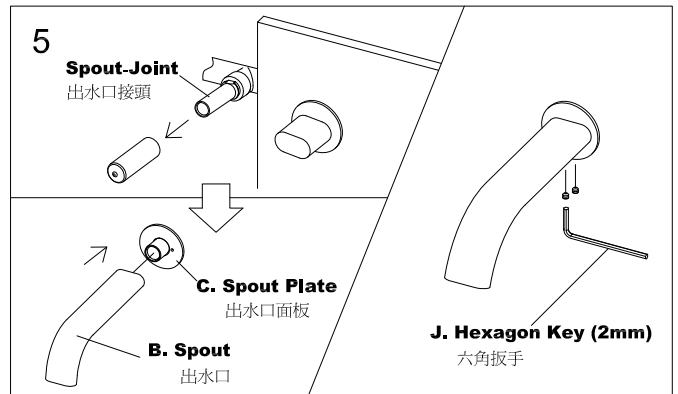
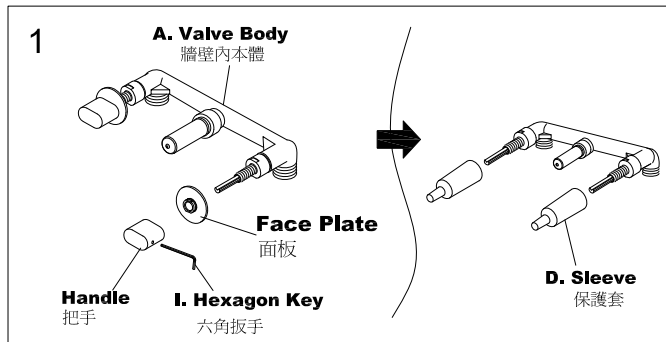


INSTALLATION INSTRUCTIONS

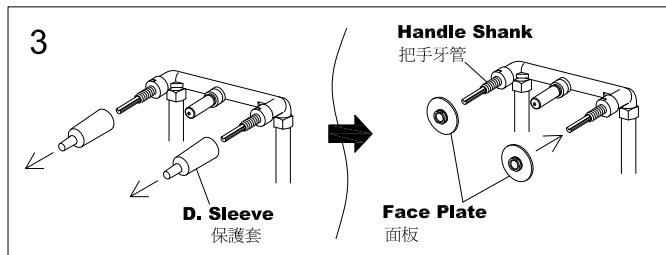
Lavatory Wall-Mounted Faucet 嵌牆式面盆龍頭安裝說明



CAUTION : Risk Of Product Damage.
 注意：為增加產品使用壽命，請依說明清潔供水管路。
 When finished installation, turn the valve on and run for 1 minute before using.
 完成安裝後，需在使用前先把供水開關全開排水持續一分鐘。

NOTE: Unscrew the **Handle** and **Retaining Nut** from the Valve Body First. Using the **Sleeves** provided to protect the external threads while installation if required. (Fig.1)

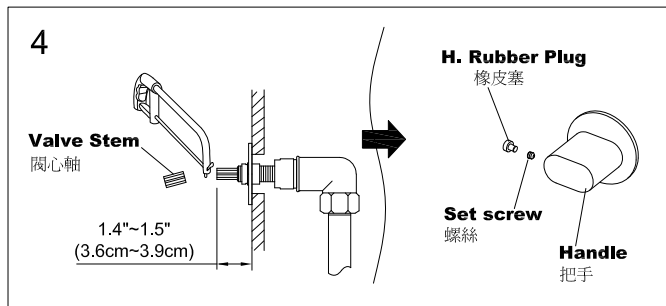
注意從包裝盒中取出：安裝前，先將把手、把手蓋與把手裝飾蓋從本體鬆開。如須使用隨附塑膠保護套保護陶瓷中心栓及螺牙，必須在安裝程序前先套好。



1. Pay attention to minimum 2" (5cm) and maximum 3" (7.6cm) dimensions for mounting information as shown. (Fig.2)
 牆壁內本體與牆面的距離須保持在最小2.5"(6.3cm)到最大3.5"(8.8cm)之間，此為安裝時的必要條件。

2. Install **Valve Body** and water supply Line. (Fig.2)
 安裝牆壁內本體和供水管線。

3. Carefully take off **Sleeve** from **Valve Body**. Locate the **Face-Plate** onto the **Handle Shanks**. (Fig.3)
 組裝前，小心取下塑膠保護套。將把手面板套入牙管，並用面板鎖緊牙管，使把手面板與牆壁完全貼合固定。



4. Cut overlong **Valve Stem** to certain length (1/4" ~5/8" or 0.6cm ~ 1.6cm) as fig.4 shown. Press Handles over the **Valve Stem** to proper position then tighten **Set screw** and insert **Rubber Plug**. (Fig.4)

如圖4，依需要可切除過長的閥心軸。然後將把手壓入閥心軸，到適當的位置，然後鎖緊埋頭螺絲將把手固定並置入橡皮塞。

5. Carefully take off plastic-cover from **Spout-Joint** before assemble **Spout Plate** onto **Valve Body**. (Fig.5)
 組裝面板蓋之前，請小心取下本體出水口接頭上的塑膠保護蓋。

6. Before joint the **Spout** onto **Spout-Joint**, please unthread the **Spout** set screws to prevent any potential damage to **Spout Joint**, ensure the **Spout** is pressed tighten close to **Spout Plate** then fasten set screw.

先將出水口上的埋頭螺絲鬆開，避免出水口接頭在組裝時碰傷。將出水口套入出水口接頭後，用六角板手將下方的埋頭螺絲鎖緊即可。

FIXING CONTENTS

組配件內容

A. Valve Body × 1 牆壁內本體	B. Spout × 1 出水口	C. Spout Plate × 1 出水口面板	E. Gasket × 2 墊片	G. Nut × 2 螺帽	I. Hexagon Key (2.5mm) × 1 六角扳手
		D. Sleeve × 2 保護套	F. Adaptor × 2 接頭	H. Rubber Plug × 2 橡皮塞	J. Hexagon Key (2mm) × 1 六角扳手