

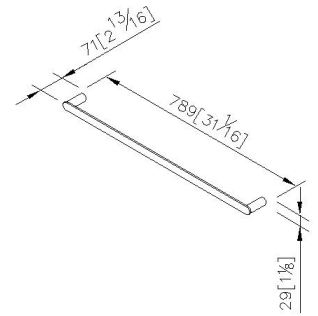
Towel Bar 6922-13-80CP

INTRODUCTION:

The bathroom should be a comfortable space that allows people to wash away the fatigue at the end of the day. The simple and elegant accessories harmonize with the leisurely atmosphere of the bathroom, bringing users a quiet and relaxing atmosphere. The oval shape with raised cambered surface is the classic design of Charming Collection; the elaborate design radiates gracefulness throughout the bathroom.

DESCRIPTION:

- 1.Brass material meets JIS 3604 standard.
- 2.Premium metal construction for durability.
- 3.Justime finishes resist corrosion and tarnish.
- 4.Chrome plated finish meets the standard of ASTM-SC2.
- 5.Product has been designed without joints to make it easy to clean.
- 6.Vertical force could support a static load of 4 kgf.
- 7.The length of towel bar: 760mm.
- 8.Coordinates with other products in Charming collection.



unit: mm[inch]

Certification:

Fixing Kits:

- 1.SUS 304 Stainless Steel Screws *2
- Hex Key 2.5mm *1
Plastic Anchors *2

AWARD:

