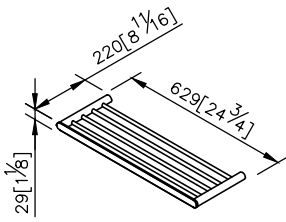


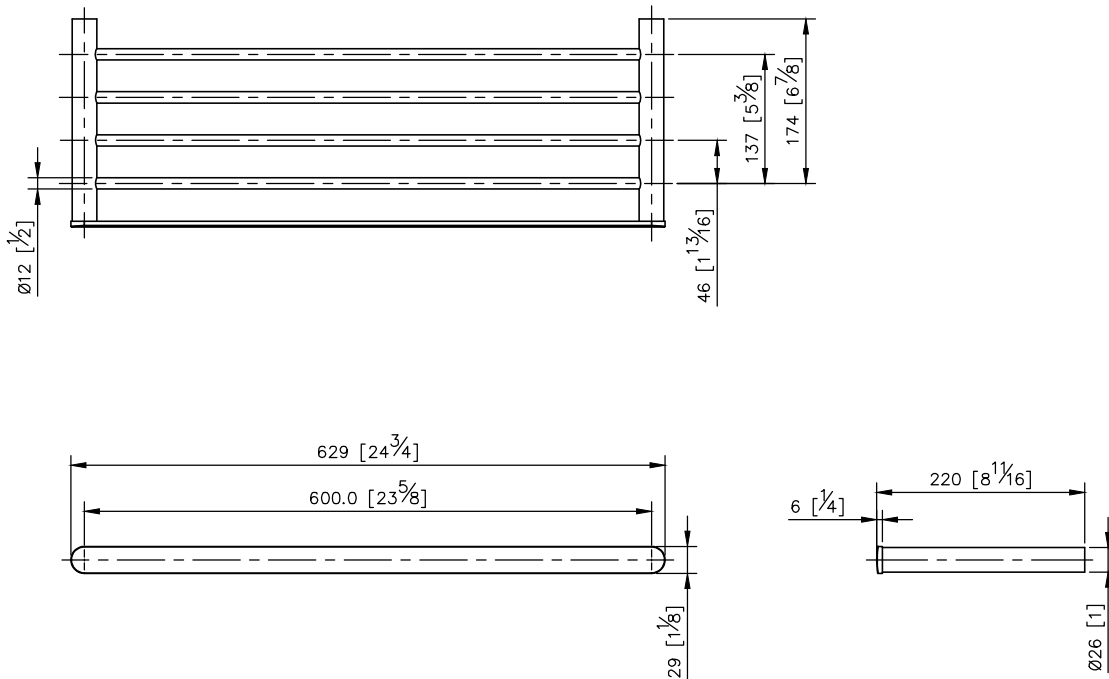
## Bath Towel Rack

6922-65-80CP



1. Brass material meets JIS 3604 standard.
2. Towel rack tube material meets stainless steel SUS #304 standard.
3. Justime finishes resist corrosion and tarnish.
4. Chrome plated finish meets the standard of ASTM-SC2.
5. Product has been designed without joints to make it easy to clean.
6. Vertical force could support a static load of 5 Kgf.
7. The size of towel rack: 600x220 mm.
8. Coordinates with other products in Charming collection.

unit: mm[inch]



### Mounting Template Specification

