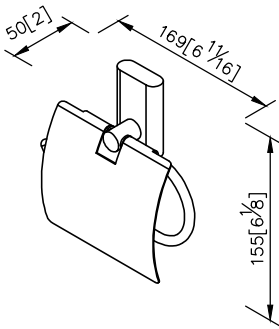
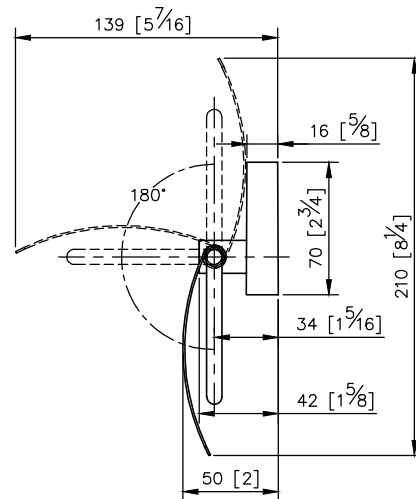
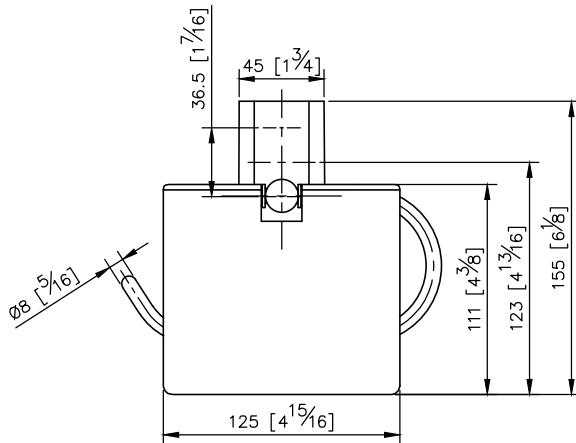
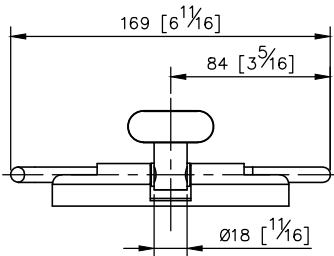


Toilet Tissue Holder W/Lid
6923-41-80T1



- 1.Brass of casting body meets JIS 3604 standard.
- 2.Premium metal construction for durability.
- 3.Justime finishes resist corrosion and tarnish.
- 4.Finish meets the standard of ASTM-SC2.
- 5.Vertical force could support a static load of 5 kgf.
- 6.Coordinates with other products in Vitality collection.

unit: mm[inch]



Mounting Template Specification

