

# INSTALLATION INSTRUCTIONS

## Recessed Toilet Seat Cover Dispenser

1. Select proper position for product and mark centers of mounting holes by using a spirit level and refer to the actual product for distance between hole centers.

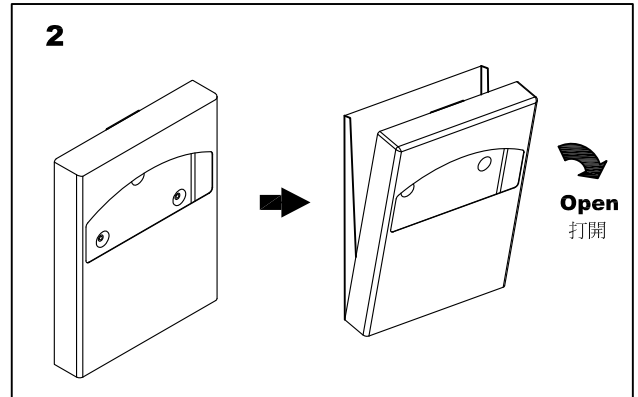
請先選取預定安裝的位置,並在牆壁上畫上預定安裝記號。(如圖1)

2. Fix the Main Body on wall with Screw.

將掛壁式馬桶座墊紙箱,用螺絲與牆面固定。(如圖1)

3. Fill in the Toilet Seat Cover after installation.

安裝完成之後,打開前蓋即可放入馬桶座墊紙,再蓋回前蓋即可。(如圖2)



## FIXING CONTENTS

### 組配件內容

