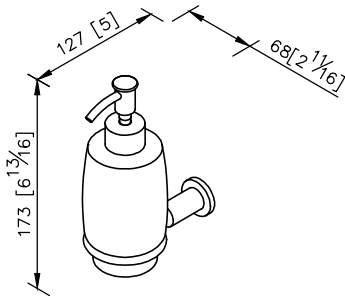


Soap Dispenser
7806-25-80S1



unit: mm[inch]

1. Stainless Steel body meets SUS 304 standard.
2. Premium metal construction for durability.
3. Justime finishes resist corrosion and tarnish.
4. The simply design concept could be collocated with diverse space.
5. Vertical force could support a static load of 2 kgf.
6. Frosted glass soap dispenser.
7. Capacity: 240ml.
8. 1.5cc for each dispense.
9. Coordinates with other products in Still One collection.

