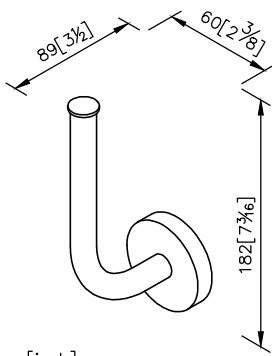
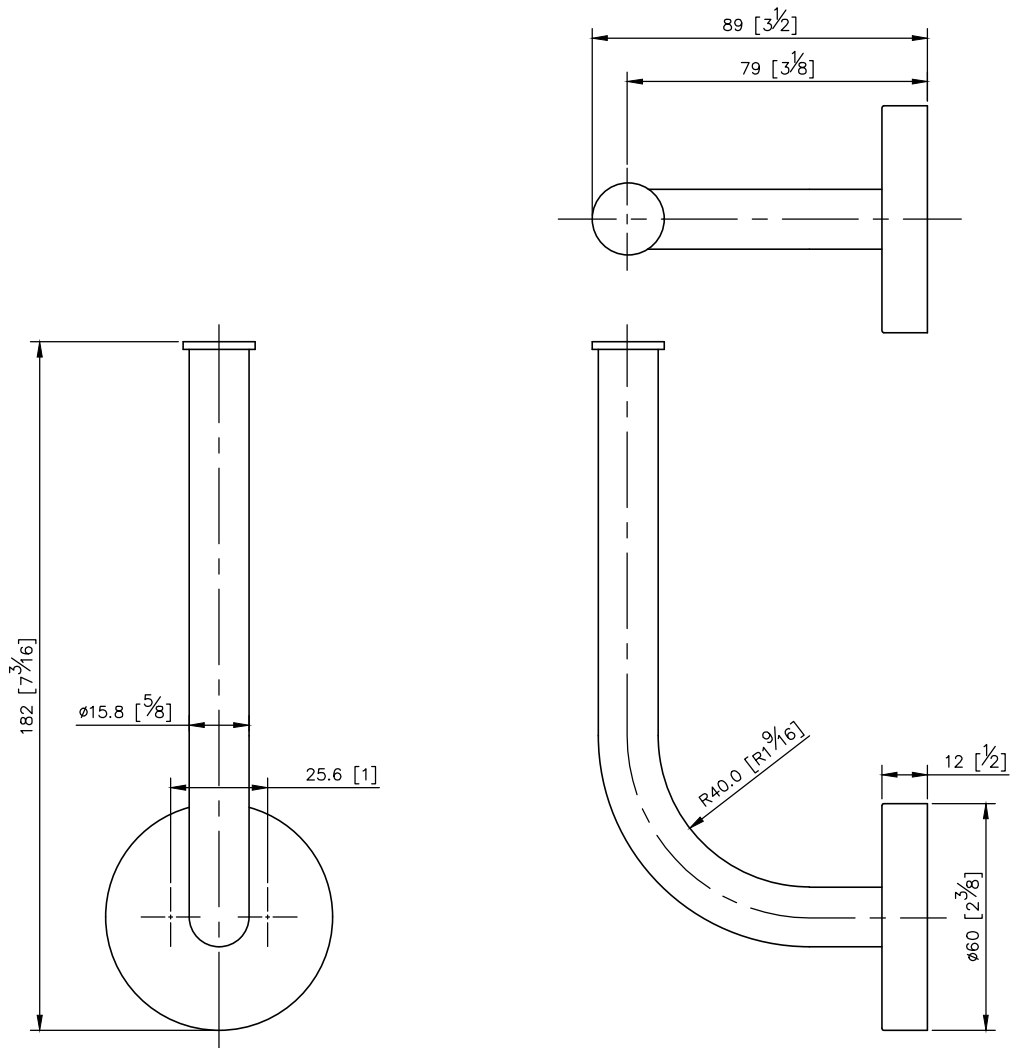


Spare Toilet Tissue Holder 7810-43-80S1



unit: mm[inch]

1. Stainless Steel body meets SUS 304 standard.
2. Premium metal construction for durability.
3. Justime finishes resist corrosion and tarnish.
4. The simply design concept could be collocated with diverse space.
5. Vertical force could support a static load of 5 kgf.
6. Spare tissue holder is suitable at public space. It can create the convenient to user and keep the environment neat.
7. Coordinates with other products in 7810 collection.



Mounting Template Specification

