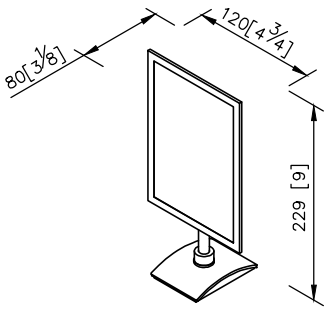


Mirror

7899-75-80S1

1. Stainless steel faceplate with brushed finish.
2. Material of holder: Stainless Steel meets SUS 304 standard.
3. Finish meets ASTM-SC2 standard.
4. Mirror back side with anti-shattering film and the frame with anti-oxidation treatment.



unit: mm[inch]

